

BLOWLAMP NEWS

BN 85

DECEMBER

2013

The Newsletter of the Blowlamp Society – Founded by Les Adams, August 1992

SUBSCRIPTION DUES

Enclosed in this issue is a renewal form for your subscription dues. Please return it by next February 28th. The next issue of *Blowlamp News* will be posted in March 2014 to paid-up members only.



**GOVERNOR No. 3 PAINTERS' LAMP - LABEL
COLLECTION OF BOB PRICHARD**

IN THIS ISSUE

With this issue of ***BLOWLAMP NEWS***, we conclude Chris Naylor's two part comprehensive **A to Z** list of **BRITISH** Blowlamps: Manufacturers, and brand / trade names. Also in this issue:

- The conclusion of the three part series about **PRIMUS** lamps.
- **TYERS / PORTABLE FURNACE & PATENTS COMPANY**
- **GLYNWINNA**
- **SIEVERT**
- **HALYCON**

For this issue only, we have added an additional four pages of articles and photos.

GOVERNOR No. 3 PAINTERS' BLOWLAMP



Bob Prichard sent in several photographs of lamps in his collection, including this fine example of a rare 1 ¾ pints **GOVERNOR** No. 3 painters' lamp with the inclined burner. It was advertised as burning either Paraffin or petrol fuel. John Shaw & Sons of Wolverhampton made the **GOVERNOR** brand blowlamps, with the distinctive logo featuring the depiction of a speed-governor from a steam engine.

The wide burner was “designed to give a flame of greater area than the Plumbers' pattern.”

NOTICES

ANOTHER MEETING – AUTUMN 2014

Those who enjoyed the meeting of the Blowlamp Society held in Toddington in October 2012 will be happy to hear that another meeting is planned, and the same hall has been booked, for Saturday, October 25th, 2014. Please mark your calendar. We'll keep you posted with details!

PAYPAL

We are working to establish a Blowlamp Society PayPal account, which will, among other things, facilitate payment of subscriptions, particularly by overseas subscribers. For all members for whom we have a valid email address, we'll notify you electronically, otherwise the details will be in the next issue of **BLOWLAMP NEWS**. If you're not sure if we have your email address, let Graham Stubbs know at gstubbs222@aol.com.

BRITISH BLOWLAMPS A to Z (Part 2) by CHRIS NAYLOR

Name (<i>Brand / trade names in italics</i>)	Address or Location	Known B'lamp Mfr.	Brand / Trade Name(s): <i>which see</i>	Notes Generally, names in the notes in bold type can be cross-referred within the A to Z
Lamb Stove & Tool Company		Yes?	Lamb?	The company was taken over by John Shaw & Sons in c1914. The <i>Lamb</i> brand name was adopted by John Shaw for their small petrol blowlamps, a self-heating soldering iron, and a small laboratory lamp, but it is not known if any of these had been produced by the Lamb Stove & Tool Company prior to its takeover.
Lidgerwood & Co	Coatbridge, North Lanarkshire			(Possibly) machinery and marine engineers / general export merchants. Name possibly appears on a brazing lamp. Also, a known reference to a filler cap illustration, and a Kelite plaque.
Little Wonder				Small (early) petrol models numbered 1 and 2 noted. Little Wonder possibly a brand / trade name of an (as yet) unidentified manufacturer.
London Furnace Company				A portable lead / glue etc melting stove / furnace, model number 710 noted, with a Primus 702 blowlamp supplying the heat. Otherwise nothing known of the Company.
Love, Frank Ltd	Westminster Bridge Road, London		Amor / Roma / XL	Plumber's brass / lead work, valves, fittings etc. Company established in 1908 from which first blowlamp is said to date. The Roma and XL models seem to be versions of a Diamond Brand , whilst the Amor – a small petrol lamp – has quite distinctive features.
Macrome Ltd	Berkeley Road East, Hay Mills, Birmingham			Macrome manufactured machine tools etc, and provided a surface treatment for steel. Their name (as suppliers) appears on a stick-on label on Burmos paraffin blowlamps.
McAllan	Walton-on-Thames		Paramajor?	"Paramajor 24" flame gun reported. No other information.
McCaul				The name McCaul (model M126) appears stamped into the tank of what appears to be a Monitor 125/126. No other information.
McNume				Name associated with a spirit lamp. No other information.
MACOL (or Marcol)				Possibly acronym, or brand / trade name for Manufacturers Accessories Co Ltd .
Manufacturers Accessories Co Ltd	London?		Macol?	Possibly MACOL . No other information.
Marco				Brand / trade name of brazing lamp(s) supplied by Brown Brothers . Also, name stamped on examples of (early) small petrol blow lamp, but not known if linked with Brown Brothers.
Marion				Possibly manufacturer of photographic equipment. No known association with blowlamps.
Marples, William, and Sons Ltd	Sheffield	Yes?	Hibernia / Shamrock	Tool manufacturers. Known examples are of a small jeweller's type blowlamp (Shamrock / Hibernia brand?). Not known if Marples were the actual manufacturers.
Matthews, Henry & Co				No information.
Meads Brothers	Phoemax Works, Temeside, Ludlow	Yes?	Phoemax / Duo-Burn	Listed as "pressure oil appliance manufacturers" in 1955. Their trade names appear on stick-on labels on paraffin blow lamps, but not known if Meads is the manufacturer. Model types are similar to RM Mfg & Engineering Co Ltd , and so possible connection? See also Swedische Lamp Co .
Melhuish, R, Ltd	Fetter Lane, London EC			Richard Melhuish & Sons were tool stockists / distributors. They sold the blowlamps of several other makers, to which the Melhuish nameplate is sometimes attached.

Name (<i>Brand / trade names in italics</i>)	Address or Location	Known B'lamp Mfr.	Brand / Trade Name(s): <i>which see</i>	Notes Generally, names in the notes in bold type can be cross-referred within the A to Z
Merx Ltd	Sevenoaks / St Andrews Hill, EC4			A "self heating" soldering iron, thought to have been fuelled by calcium carbide? What are thought to be two French versions are also known, Mox & Alox .
Metal Agencies Co				Founded 1894. Builders' engineers, plumbers' merchants, ironmongers etc. Manufacturers of fireplaces and tubular steel products. Possible suppliers of blowlamps, otherwise no known connection.
Metropolitan				No information.
Monitor (Engineering &) Oil Appliances Ltd	Birmingham	Yes	Monitor	Monitor were a prolific manufacturer of blowlamps, brazing lamps, stoves & other oil appliances. The origins of the company are unclear but they were owned from an early stage by Parkinson, W & Co Ltd , a part of Parkinson & Cowan Ltd .
Monument Brand	Brixton, London.			Monument is the brand name of Monument Tools, a supplier of plumbing tools. Known examples are of a small jeweller's type blowlamp, with Monument Brand stamped on the base of the tank. Nothing to say that Monument was the actual manufacturer.
Moon & Stars (logo)				Paraffin blowlamp (with stick-on 'Moon & Stars' logo) similar to those produced / distributed by Berlyn, M H Co Ltd .
Moore & Wright (Sheffield) Ltd	Handsworth, Sheffield	Yes?	Moorite	Precision and hand tools manufacturer. Their name is stamped on the base of the tank of a range of small jeweller's type blowlamps, but nothing to say that Moore & Wright were the actual manufacturers.
Mosers	Borough High Street, London SE1			Engineering, hardware & tools distributors. Name associated with a spirit lamp. No other information.
Multum in Parvo				Known example is of a small jeweller's type blowlamp, similar to a type found with a Melhuish label. Nothing to say who were the actual manufacturers. Multum in Parvo means "much from little".
Mysto				Brand / trade name of French, W T & Son , supplier (or manufacturer?) of the Hot Rod Flame Gun / weed burner.
Mytaz				Name associated with a flame gun / weed burner. No other information.
Nurse, Charles, & Co	Invicta Tool Works, Walworth Road, London			Tool merchants. Supplied an "improved" self-heating soldering iron, the manufacturer of which is unidentified.
Oriflamme				Brand / trade name of the King's Norton Metal Company .
Parasene				Brand / trade name of Berlyn, M H Co Ltd .
Parkinson, W & Co Ltd	London & Birmingham		Monitor?	Gas apparatus manufacturers. Started in 1816. Merged with W & B Cowan in 1900 to form Parkinson & Cowan Ltd . Parent company to Monitor (Engineering &) Oil Appliances Ltd .
Peak Gas				A butane blow torch known, with replaceable fuel canisters.
Petroflam				Brand / trade name of Twigg, Charles & Co .
Phoemax				Brand / trade name of Meads Brothers, Ludlow . See also Duo-Burn .
Pinchbeck				No information.
Plumbob				Believed to be a brand / trade name of Berlyn, M H Co Ltd .

Name (<i>Brand / trade names in italics</i>)	Address or Location	Known B'lamp Mfr.	Brand / Trade Name(s): <i>which see</i>	Notes Generally, names in the notes in bold type can be cross-referred within the A to Z
Pollitt's				Name (possibly) appearing on blowlamp, being the subject of the 1909 patent of Walter Green and Alfred William Heath concerning adaptations of what appears to be the basic Burridge blowlamp. (See also Samuel Heath & Sons , and Greens / Greens patent).
Pool, W H & Sons	Chipstaple, Taunton	Yes, for their use		Company formed in 1847 as wheelwrights. Manufacturers of oil engines from the late 1890s. Example of an engine starting lamp, manufactured for, and by, Pool.
Portable Furnace & Patents Co Ltd, The	381 Mansfield Road, Carrington, Nottingham	Yes		Portable lead etc melting furnaces. Sometimes referred to as Tyers Patent, Carrington , based on the patents of Frederick W. Tyers, of Carrington Notts., Also possible connection with Prichard, Hugh & Co. and Sheen .
Pratt, A & Co	London			A blowlamp known, with this name, similar to a Garratt & Fowler . No other information.
Premier, the				Name given to small petrol blowlamp by Smallwood Brothers .
Prichard, Hugh & Sons Ltd	Greasley Street, Nottingham	Yes?		Believed to be manufacturers of Sheen flame guns / weed burners. Possible connection with the Portable Furnace & Patents Co Ltd .
RM Manufacturing & Engineering Co Ltd (Robins & Malin?)	Birmingham	Yes.	RM?	R M Manufacturing & Engineering Co Ltd were bought out in 1950 by Samuel Heath & Sons Ltd , who then sold RM blowlamps with the addition of the Heathware brand / trade name. Said to have a factory capable of making stoves and blow lamps. Models similar to those by Meads Brothers .
Radiweld				No information.
Rawlplug Co Ltd	London		Rawlplug	Manufacturers of (mainly) wall fixings. Small spirit blowlamp similar to Bi-Metals (Britinol) Ltd . Not known if Rawlplug were the actual manufacturers.
Regency				Model name given to certain Burmos blowlamps, made by Townson & Coxson Ltd .
Reliance Patent		Yes?		Known for (early) petrol blowlamp with cast brass tank. Similar to American Gierrth patent torches; no other information. Possibly sold by Marples, William, and Sons Ltd .
Rex	Bridge Rd, London N9			Brand / trade name of Bi-Metals (Britinol) Ltd .
Robins & Malin			RM?	Thought to be the RM in RM Mfg & Engineering Co Ltd .
Rolls Royce (nameplate).				Nameplate with Rolls Royce, Patent 1927 imprinted thereon, soldered to tank of a Howes & Burley Ltd blowlamp. Possibly equipment owned by Rolls Royce with name thereon to mark ownership?
Roma				Brand / trade name of Love, Frank Ltd . The <i>Roma</i> is very likely a Diamond Brand / Bladon .
Ronson			Varaflame	Butane type blow torch.
Ross, Courtney & Co	Upper Holloway, London, N			Est.1890. Manufacturing engineers, for the motor car and electrical trades. Known blowlamp example is a small jeweller's type, with brass nameplate soldered to tank. Not known as a manufacturer of blowlamps.
Safety				Brand / trade name of British Safety Stove Co Ltd . See also Turley & Williams Ltd .
Safety Stove				Probably a variation of the name British Safety Stove Co Ltd .
S H & S				See Heath, Samuel & Sons.
Sanitary & Water Fittings Mfg Co	London			Suppliers of <i>Gudwrun</i> Soldering Flux. <i>Gudwrun</i> was a brand / trade name of the Gudwrun Flux and Fittings Co . The Sanitary & Water Fittings Mfg Co is not known as a blowlamp manufacturer.

Name (<i>Brand / trade names in italics</i>)	Address or Location	Known B'lamp Mfr.	Brand / Trade Name(s): <i>which see</i>	Notes Generally, names in the notes in bold type can be cross-referred within the A to Z
Sevenoaks				Probably a reference to Merx Ltd, Sevenoaks . No other information.
Shamrock				Possibly a brand / trade name of Marples, William, and Sons Ltd .
Shaw, John & Sons (J S & S)	Wolverhampton	Yes	Governor / Lamb / Anglo Swedish	The company dated back to c1800 and were manufacturers and later wholesalers. Shaw's took over many companies, including the Lamb Stove & Tool Company in c1914. It is believed that at about this time they started the production of their varied range of blowlamps.
Sheen				Possibly a brand / trade name of a flame gun / weed burner, possibly by Prichard, Hugh & Co .
Shirley, Alfred Ltd	83 Clifford Street, Birmingham B19		Hecla	Known examples are of a small jeweller's type blowlamp with name stamped into lid. Not known if Alfred Shirley Ltd were the actual manufacturers. Alfred Shirley were known as general brassfounders, for hearth furniture, and Hecla copper cylinder hot water bottles.
Shirley, Arthur & Edward	Coventry			Produced patent (c1900) for blowlamp, which was manufactured by Bridgeport Brass Co (Queen) Bridgeport, Connecticut.
Simplex, the				Associated with (or sold by) the name Tyack (or possibly Tyzack?) No other information.
Sinclair (& Co?)	Finsbury?		Comet?	Possibly associated with Sinclair & Co, who exhibited a liquid fuel burner to generate steam, in 1900. Name also possibly associated with the brand / trade name Comet . No other information.
Smallwood Brothers	76 Bury New Road, & Mount Pleasant, Manchester	Yes?	Premier, the	Listed as "inventors, patentees & makers", recorded as being operational between at least 1916 & 1935. There may be a connection to British patent 5047 awarded to a John Smallwood & William Crowther in 1904. <i>The Premier</i> said to look like a Reliance Patent .
Soutter, W & Sons Ltd	Farm Street, Birmingham		Soutterware	Art metal workers and manufacturers of electric light and gas fittings. Name imprinted on brass plate, soldered to side of Barthel type brazing lamp. No other information.
Stesco		Yes?		A small coil burner stove known (possibly part of a series of spirit lamps?). Stesco possibly the manufacturer?
Stirling				A paraffin blowlamp, possibly by Falk, Stadelmann & Co Ltd , sold under the name Stirling.
Stones (Patent Universal Regulator)				Known examples are of a small jeweller's type blow lamp. No other information.
Strength Brand				Blowlamp(s) example similar to Burridge & Co . No other information.
Stuart Turner & Co	Henley-on-Thames	Yes?		From 1906 the company produced model steam engines, gas engines etc. A blowlamp is associated with the name (possibly with a Primus burner?), and possibly for use with a Babcock boiler. Not known if Stuart Turner were the manufacturers of the blowlamp.
Sunbeam, The				Small petrol example known with "The Sunbeam Blow Lamp, Guaranteed British Made" impressed into the tank. No other information. See also John Bull .
Swede, the				A version of an Amor . (See also and Love, Frank). Has a brass nameplate soldered to the tank with " <i>The Swede</i> , Trade Mark, and British Production", and an image of an actual Swede.
Swedish, the				Name which could refer to either the Swede or Swedish Lamp .
Swedish Lamp				The name Swedish Lamp (probably attributable to B A Hjorth & Co) was also later given to similar models produced by other Swedish, and possibly British, manufacturers intended for resale by stockists or retailers. Possible (British) examples of this are Beanco and Brown Brothers .
Swedische Lamp Co	Ludlow	Yes?	Duo-Burn	A pint paraffin blowlamp with the name " <i>Duo-Burn</i> by Swedische Lamp Co" on label. A connection therefore with Meads Brothers . See also Phoemax and Duo-Burn .

Name (<i>Brand / trade names in italics</i>)	Address or Location	Known B'lamp Mfr.	Brand / Trade Name(s): <i>which see</i>	Notes Generally, names in the notes in bold type can be cross-referred within the A to Z
Swift Jet				A small spirit blowlamp similar in style and principle to a Valtock . No other information.
T & W				Brand / trade name of Turley & Williams Ltd / British Safety Stove Co Ltd .
Tangye Brothers	Cornwall Works, Clement Street, Birmingham			Company started in 1856 by Richard Tangye. Manufacturers of engines and other heavy equipment. Two types of starting lamp were manufactured by Bladon for starting Tangye engines. Max Sievert also supplied starting lamps for Tangye engines.
Taymar Ltd	Manchester 3	Yes?	Taymax	May also have supplied blow lamps under the Two Tiger(s) label, for resale by Fletchers, a UK ironmonger supplier. Blowlamps are like those of Berlyn, M H Co Ltd , so a possible connection.
Taymax				Brand / trade name of Taymar Ltd .
Tecalemit	Plymouth and Brentford			Company started 1927. Lubrication specialists. No known connection with blowlamps. There are German blowlamps with the name Tecalemit , similar to certain Barthel models.
Terladon				Name (may be incorrect) associated with a jeweller's type blowlamp. No other information.
Thermidor				Brand / trade name of Samuel Heath & Sons Ltd .
Tiger				By Taymar Ltd or similar. A possible derivation of the name Two Tigers (which see). Possibly also a brand / trade name for a flame gun / weed burner.
Tilley Lamp Co	Various, incl. London & later, Belfast	Yes		Manufacturers of pressure lamps from as early as c1818. At least two models of refrigerant leak detector lamps were manufactured in Belfast.
Tinol British				A small spirit lamp similar to Bi-Metals (Britinol) Ltd and which has the name Tinol imprinted into the tank side. Tinol thought to be German, so Tinol British assumed to be of British manufacture or distribution?
Toga				Known examples are of a small jeweller's type blow lamp. No other information, and nothing to say that Toga were the actual manufacturers. Possibly sold by Buck & Hickman.
Tomes & Sons	London		Letter T (within a star)	Not thought to be a blowlamp manufacturer, but their name plate appears on a standard paraffin blow lamp. Possibly monumental masons.
Townson & Coxson Ltd	Essington Street, Birmingham 15	Yes	Burmos	Makers of Burmos brand portable stoves, gas rings, blowlamps, sprayers etc. Some Burmos blowlamps were given model names, such as Empire, Georgian, Regency, Tudor, Windsor . See also Macrome Ltd .
Tudor				Model name given to certain Burmos blowlamps, made by Townson & Coxson Ltd .
Tudorcourt Gas Appliances Ltd	47-48 Piccadilly, London, W1			Possibly a propane type blowlamp known. No other information.
Turley & Williams Ltd	Highgate Street Works, Birmingham 12	Yes?	Safety/ T & W	Also known as British Safety Stove Co Ltd . Believed to have started c1925. Stove manufacturers. Their name is found stamped into the (steel) tank of WWII production blow lamps.
Twigg, Charles & Co	Perry Bar, Birmingham	Yes	Buflam / Petroflam	Light engineering manufacturers during the 1940s and 50s. They produced a small range of lamps, blowlamps, & stoves under the Buflam and Petroflam labels. The company went into receivership in 1957.
Two Tiger, or Two Tigers				Believed to be a brand / trade name of Fletchers , a UK ironmonger supplier. Blow lamps with the Two Tiger(s) label were like those by Taxmar Ltd. , so a possible connection.

Name (<i>Brand / trade names in italics</i>)	Address or Location	Known B'lamp Mfr.	Brand / Trade Name(s): <i>which see</i>	Notes Generally, names in the notes in bold type can be cross-referred within the A to Z
Tyers Patent, Carrington	Nottingham			Name by which The Portable Furnace & Patents Co Ltd is sometimes referred to, based on patents of Frederick W. Tyers, of Carrington, Notts. (The Tyers of Carrington name later reappeared on a propane burner.)
Underhay, F G	Clerkenwell, London			Engineers, brass founders etc. Name associated with a spirit lamp. No other information.
Valtock Ltd	Warwick / Sherwood Street, London	Yes?	Valtock	Valtock Ltd produced three models of blowlamp, burning methylated spirit, two of which were "automatic" (or self-acting). No other information.
Velocity				Thought to be a blowlamp retailer. No other information.
Veritas				Brand / trade name of Falk, Stadelmann & Co Ltd . The German Veritas trademark had been owned by Jean Stadelmann & Co and was acquired by Falk Stadelmann in London, initially for gas lamp mantles.
W & W				Known examples are of a small jeweller's type blow lamp, with name stamped on tank base. No other information, and nothing to say that W & W were the actual manufacturers.
WECO				Name associated with Calor (see Calor-Dex). A gas fired soldering iron known with names Calor & WECO .
Wee-Dex				Brand / trade name of Dex Industries Ltd .
Wells, A C & Co	Manchester, & London	Yes?		Started c1888. Produced a range of "light lamps" having heavy cast iron (pressurised) tanks, and burning tar oil to produce a flame for lighting. Also noted for their "kettle torch lamps", paint sprayers, filters etc.
Willard Brown (T B Sims)	Windsor, Berkshire	Yes?		Manufactured (?) a twin tube type meths lamp similar to Valtock .
William Hurlock, Junior Ltd	Denmark Hill, London			Tyre distributors / manufacturers(?). No known connection with blowlamps.
Windsor				Model name given to certain Burmos blowlamps, made by Townson & Coxson Ltd .
Woodward Bros & Copelin Ltd	Peckham S E / Sutton / Croydon	Yes	The Gem / Gem Lamp	Company first recorded 1904. Closed 1947. Produced a range of brazing lamps including a model with twin tanks and flexible hose to the burner.
Wright & Butler Lamp Mfg. Co	Birmingham			Company started in 1866, and patented & produced lamps, burners and stoves. The initials WB appear, inscribed into the tank of an early Max Sievert type S, but not known if connected. Falk, Stadelmann & Co Ltd had incorporated Write & Butler (by 1933).
Wrights of Lymm Ltd	Lymm, Cheshire		Firefly / Fireman	Company established 1840. Associated with gilding, sign writing etc. Two brands of blowlamp are known, Fireman and Firefly , based on Bladon / Diamond Brand products (with handle variants). Also thought to have sold a range of Max Sievert blowlamps in the 1950s, and also said to be agents for Taymar Ltd .
XL				Brand / trade name of Love, Frank Ltd . The XL appears to be a Diamond Brand .
Yates Brothers Ltd	Darwen, Lancashire	Yes	Easilit	Thomas Yates, described as "Traveller", of "Sunnyhurst", Darwen, Lancashire. Took out a patent in 1908 for a "Blowlamp with dual control valves, for improved safety, ease of lighting, and cleaning". Presumably founder of / associated with, the Easilit Blow Lamp Co , Kings Norton.

FREDERICK TYERS and THE PORTABLE FURNACE & PATENTS CO. LTD.

Frederick William Tyers was born in 1864. At various times he was a plumber, an inventor and an entrepreneur. The 1891 census 1891 lists him as “plumber”. In 1901 he described himself as a Civil Engineer. The 1911 census has Tyers as an engineer, “Portable Furnace Co.”; Frederick Tyers and his wife Fanny had seven children living with them in Carrington, Notts. The second oldest son, Frederick Charles Tyers was also listed as an engineer working at Portable Furnace Co. On May 7th, 1915, he was one of 1198 passengers who perished when the ocean liner LUSITANIA was torpedoed by a German U-boat. The oldest son, John Oswald (J.O.) Tyers later became managing director of the family business.

Nottingham City directories of the period show Tyers’ business progression:

1894 Mansfield Road, Tyers, plumber & glazier

1902 Market Place, Carrington, Frederick Tyers, managing director, Portable Furnace & Patent Co, Ltd.

1912 lists separately the Portable furnace & Patents Company, and also “Tyers, Frederick & Sons., plumbers at 363 Mansfield Rd.”

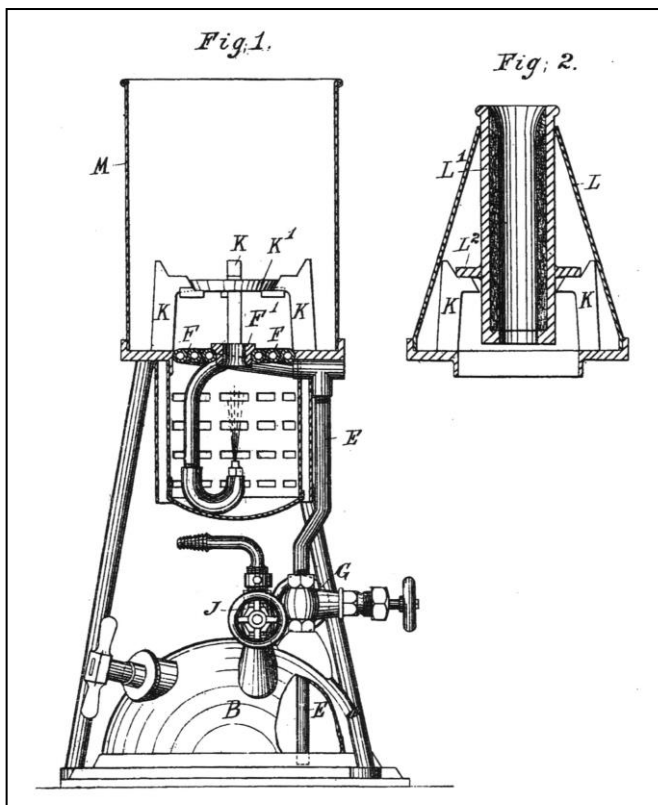
1914 through 1925 Portable Furnace & Patents Company, is listed at Oak Street, Carrington, with Frederick Tyers as managing director, residing at 383 Mansfield Road.

1930 according to a notice in The London Gazette in July 1930, the company’s bank filed in that year for winding up The Portable Furnace & Patents Company.

1932 through 1970 Portable Furnace & Patents Company is listed 381 Mansfield Rd. with J.O. Tyers, managing dir. (In 1932 Frederick Tyers was living at 383 Mansfield Rd.)

Frederick Tyers became a successful inventor, with the award at least six British patents between the years 1888 and 1917, which led to the creation of his company, Portable Furnace & Patents. Two of these were for improved oil furnaces, and resulted in products being brought to market that are seen today in collections of blowlamps.

His 1899 patent No.25,125 was for a furnace, shown in the illustration below with a hemispherical fuel tank. The advertisement below right is from 1899.



THE
Portable Furnace & Patents Co., Ltd.,
CARRINGTON, NOTTINGHAM,

Are Manufacturers of **PORTABLE OIL BLAST FURNACES**

READ THIS.

Copy of Letter received from
Mr. Wm. S. CLARKSON,
Northgate St. Sanitary Works,
Ipswich.
November 4, 1898.

The Portable Furnace & Patents Co., Ltd.
Gentlemen.—In thanking you for the Jute and Post sent me as ordered, I should like to add my testimony that I have been using your Furnace for between six and seven years. I was the first to introduce them into Ipswich. Now I may say there is not a plumber in the town who does not use them, and I do not know what I should do without them.

I have at in nearly one tank I have bought from time to time, and the first one is now in as good working order as when I first used it about seven years ago. They have all paid for themselves several times over, and, considering the economy they effect both in time and fuel, I should think they would have been the greatest blessing to plumbers ever invented. I should be pleased to show any one the first stove I bought, which is working to-day, after being used some hundreds of times.

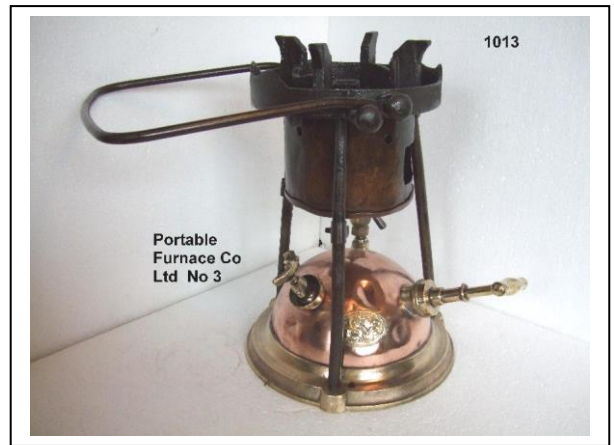
HEATING PIPES FOR BENDING PURPOSES.
ALSO FOR MELTING METALS.

THE FURNACE burns common Paraffin Oil, and will heat Pipes up to 4 in. diameter, and melt Lead to 2 cwt.

Quotations for Special Furnaces on Application.

THE LATEST PATTERN IS FITTED WITH MOVABLE TOP, by which a Pipe Bending Machine can be converted in a few moments into a Furnace for MELTING METALS.

WRITE FOR CATALOGUES, PARTICULARS, AND FURTHER TESTIMONIALS.



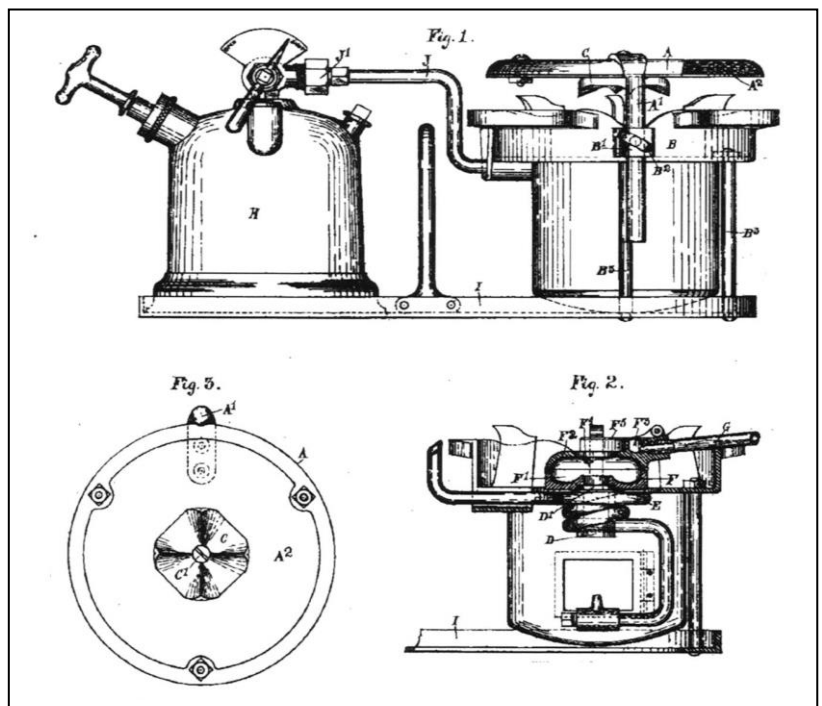
The innovations in the 1899 patent included a shut-off valve to back up the check valve in the pump, and prevent leakage. (This feature is common of American blowtorches from the 1890s and early 1900s.)

Tyers' 1903 patent No.3,613 was described as an improvement to the 1899 invention. The claims of novelty include improvements to the burner, and an alternative use as an illuminating device.

Tyers chose to construct the stove on a platform with the burner section and the fuel tank side by side, with a carrying handle in the middle.

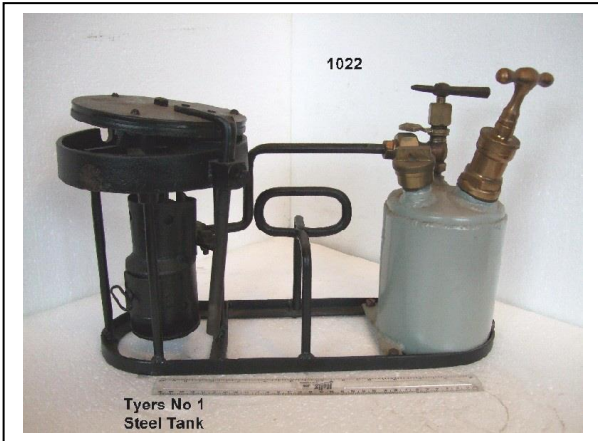
The Portable Furnace & Patents Company manufactured these stoves with a copper fuel tank, usually with a brass identifying plate soldered to the side, with the company name.

(The photos for this article are all from Max Rhodes)

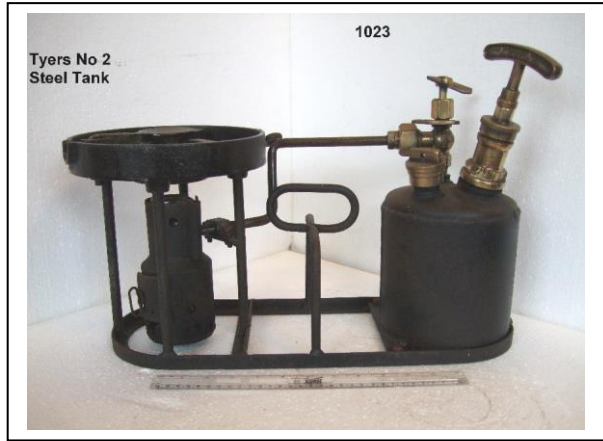


After the 1930 winding up of Portable Furnace & Patents Company, several firms manufactured and marketed furnaces into the 1950s furnaces using the respected name "TYERS PATENT".

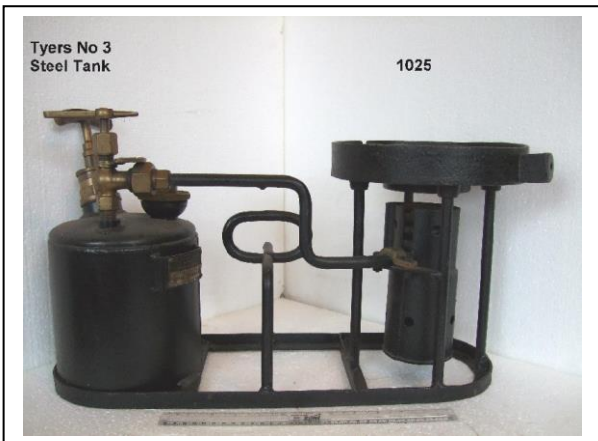
Here are examples of furnaces carrying the TYERS PATENT name, but not identified as from The Portable Furnace & Patents Company. Most have steel tanks; note the example with a ribbed copper tank. (The four-digit numbers are Max Rhodes' photo file numbers).



Tyers No 1
Steel Tank



Tyers No 2
Steel Tank



Tyers No 3
Steel Tank



Tyers No 4
Steel Tank



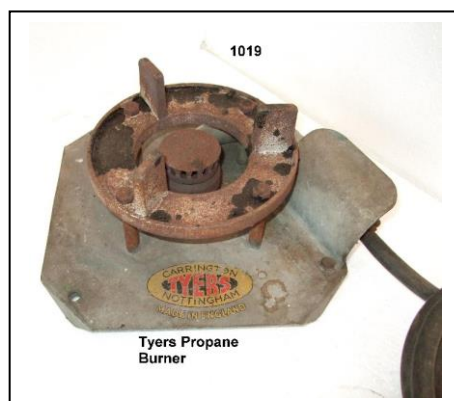
Tyers No 3
Copper Tank



Tyers
No 3
Upright

Here is a propane burner marked:
TYERS,
CARRINGTON,
NOTTINGHAM
MADE IN ENGLAND.

[John Oswald (J.O.)
Tyers died in 1973.]



Tyers Propane
Burner



Tyers 1947
Blowlamp
Furnace

MORE PRIMUS PICTURES

From Keith Hawkins

PRIMUS Model 185 Heater.

The collapsible tripod stand, No. 1137, turns a Model 85 heater into a stove / furnace that can support large vessels. The **PRIMUS** model 85 heater is fitted with a burner that produces a wide-spreading flame. Fuel capacity 5 5/8 pints.



Below are three versions of **PRIMUS** self-heated soldering irons.

PRIMUS No. 892 has a high power burner, including the spirit cup, completely surrounded by a windshield. Note the angled control valve, typical of later model self-heated soldering irons. Fuel capacity 3/8 pints.



PRIMUS No. 890 has the control valve perpendicular to the axis of the tank. (The control valve knob is the tommy-bar nearest the fuel tank; the second tommy-bar secures the rod carrying the copper bit) Fuel capacity 3/8 pints.



PRIMUS Model 880 also has the control valve mounted at right angles. Fuel capacity 3/16 pints.

The **PRIMUS** models 890 and 880 shown here are date coded 1929.



PRIMUS BLOWLAMPS: MODEL NUMBERS (Part 2)

BY GRAHAM STUBBS

Models Nos. through the six-hundred series appeared in Part 1 of this article in **BN84**, Sep. 2013

Model	Old #	Fuel	Pump	Capacity	Burner	Ref.	Notes / date
701		paraffin	internal	2 2/3 pints		2	
701 "Hekla"	66	paraffin	internal	1.3 litres	vertical	2	Laboratory & engine starting lamp
702		paraffin	internal	3 pints		2,5	Blackstone engine starting lamp
702 "Hekla"	67	paraffin	internal	1 3/4 litres	vertical	1	Laboratory & engine starting lamp
703		paraffin	internal	4 pints		2,5	1935
703 "Hekla"	68	paraffin	internal	2 1/4 litres	vertical	1	Laboratory & engine starting lamp
704		paraffin	internal	5 1/2 pints		2,5	
704 "Hekla"	69	paraffin	internal	3 litres	vertical	1	Laboratory & engine starting lamp
705		paraffin	internal	12 /14 pints	4 1/4 inch dia burner	2,5	1938
732		paraffin	internal	2 2/3 pints	One vertical burner	2	
733		paraffin	internal	2 2/3 pints	Two vertical burners	2	
734		paraffin	internal	4 pints	Three vertical burners	2	
735		paraffin	internal	5 3/4 pints	Four vertical burners	2	
741		paraffin	internal	2 2/3 pints	Two vertical burners	2	Separator plate below burners
742		paraffin	internal	2 2/3 pints	Three vertical burners	2	Separator plate below burners
744		paraffin	internal	2 2/3 pints	Four vertical burners	2	Separator plate below burners
745		paraffin	internal	7 pints	Six vertical burners	2,5	Separator plate below burners 1948
747		paraffin	internal	7 pints	Eight vertical burners	2,5	Separator plate below burners
751 "Ultraprimus"	2	paraffin	internal	1 litre	vertical	1,5	SI heater
752 "Ultraprimus"	1	paraffin	internal	1.3 litres	vertical	1	SI heater
753 "Ultraprimus"	2A	paraffin	internal	1.3 litres	Two vertical burners	1	SI heater
754 "Ultraprimus"	3	paraffin	internal	2.25 litres	Three vertical burners	1	SI heater
755 "Ultraprimus"	4	paraffin	internal	3 litres	Four vertical burners	1	SI heater
781 "Primus"		paraffin	internal	2.85 litres	On flexible pipe	1	
782 "Primus"		paraffin	internal	6 litres	On flexible pipe	1	
785 "Primus"		paraffin	internal	35 litres	On flexible pipe	1	
800		petrol	none	1/4 pint	Inclined, flattened	2,7	Ski waxing

References: 1 RECEUIL 2: 2 PRIMUS 1938 catalogue: 3 PRIMUS 1950s catalogue: 4 G Stubbs files: 5 Keith Hawkins files: 6 Dave Stennet list: 7 Chris Naylor list: 8 PRIMUS USA & Lovett US catalogues: 9 Michel Duval files

Model	Old #	Fuel	Pump	Capacity	Burner	Ref.	Notes / date
800 with pump & folding handles		petrol	yes	¼ pint		3,5	Ski waxing Folding handles Photo BN 66 p6
801		petrol	none	¼ pint	vertical	2,5,7	Ski waxing with shield
802		petrol	none	¼ pint	inclined	2,3,5,6,7	
803		petrol	none	½ pint	inclined	2,3,5,6,7	1933
804		petrol	none	¾ pint	inclined	2,5,6	1937
805		petrol	internal	¾ pint	inclined	2,3,5,6,7	
805 F						7	
805 P						5	
806		petrol	handle	7/8 pint	inclined	2,3,7	
807		petrol	handle	7/8 pint	inclined	2,3,6,7	
808		petrol	handle	1 1/3 pints	inclined	2,3,6,7	
816		petrol				2,9	Burner for use with separate tank
820		petrol	none	¾ pint	horizontal	2,3,4,5,6,7	SI holder 1932
821		petrol	internal	¾ pint	horizontal	2,3,4,6,7	SI holder
823		petrol	internal	1 ¾ pints	horizontal	2,3,4,6,7	SI holder 1934
826						5	Butane? 1950/60s
827		petrol	none	5/8 pint	inclined	1,7	
828		petrol	internal	5/8 pint	inclined	1	
830						6,7	
831		petrol	handle	1 pint	inclined	1,5,7	Paraffin? L 1929
832						7	(late model?),
833		petrol	internal	1 ¾ pints	inclined	1	
834		petrol	handle	1 1/3 pints	horizontal	1,5	1925
835		petrol	handle	2 pints	horizontal	1,6	
836		petrol	handle	2 ¾ pints	horizontal	9	
837		petrol	handle	3 ½ pints	horizontal	1	
838		petrol	handle	5 ¼ pints	horizontal	1	
841		petrol	none	1 pint	inclined	2,3,4,5,6,7	1929
844						7	
848		petrol	none	¼ pint	inclined	2,6,7	
849		petrol	none	¼ pint	inclined	2,6,7	
850		petrol	none	½ pint	Inclined, flattened	2,5,7	Wire handles ski waxing Bottom filler 1931
851		petrol	none	½ pint	inclined	2,3,4,5,6,7	1931
851 "The Swedish"	1	petrol	none	½ pint	inclined	1,4	Cane-wrapped handle
852					vertical	5,7	Pre 1911
852 "The Swedish"	1 R	petrol	none	½ pint	inclined	1,4	Cane-wrapped handle

References: 1 RECEUIL 2: 2 PRIMUS 1938 catalogue: 3 PRIMUS 1950s catalogue: 4 G Stubbs files: 5 Keith Hawkins files: 6 Dave Stennet list: 7 Chris Naylor list: 8 PRIMUS USA & Lovett US catalogues: 9 Michel Duval files

Model	Old #	Fuel	Pump	Capacity	Burner	Ref.	Notes / date
853 "The Swedish"	1 S	petrol	none	½ pint t	Inclined, narrow nozzle	5	Cane-wrapped handle Pre 1911
854		petrol	internal	5/8 pint	inclined	2,3,4,5,6,7	SI holder. Metal handle
854 "The Swedish"	2	petrol	none	2/3 pint	inclined	1,4	SI holder, Cane-wrapped handle
855		petrol	internal	5/8 pint	inclined	2,3,4,5,6,7	Metal handle 1932
855 "The Swedish"	3	petrol	none	5/8 pint	inclined	1,4,5	SI holder, Cane-wrapped handle
856 "The Swedish"	4	petrol	none	2/3 pint	vertical	1,4	Cane-wrapped handle
857		petrol	internal	5/8 pint	horizontal	2,5,7	Steel handle 1930s
857 "The Swedish"	5	petrol	none	5/8 pint	horizontal	1,4,5	Wood handle Pre 1911
858 "The Swedish"		petrol	none	2/3 pint	inclined	4	Wood handle
859		petrol	internal	.15 litre	Inclined. Flattened	3,5,6,7	Ski waxing folding handles Flat burner
860		petrol	handle	1 1/3 pints	Horizontal, flattened	2	Ski waxing
861		petrol	handle	1 1/3 pints	horizontal + serpentine	2,5,6,7	1938
861 "Vulcan"	15	petrol	handle	¾ litre	Horizontal + serpentine	1	
862		petrol	handle	1 ¾ pints	horizontal + serpentine	2,3,5	Pre 1911
862 "Vulcan"	20	petrol	handle	1 litre	horizontal + serpentine	1	
863		petrol	handle	2 2/3 pints	horizontal + serpentine	2,3,5,7	1953
863 "Vulcan"	16	petrol	handle	¾ litre	vertical + serpentine	1	
864 "Vulcan"	21	petrol	handle	1 litre	vertical + serpentine	1,5	Pre 1911
865		petrol	handle	4 pints	horizontal	2,3,7	Special burner material.
865 "Vulcan"	24	petrol	handle	2 ¼ litres	horizontal/serpentine	1,2,6,7	Special burner material.1925
866		petrol	handle	6 pints	horizontal/serpentine	2,3,5,6,7	Special burner material.1939
866 "Vulcan"	25	petrol	handle	3 1/3 litres	horizontal	1,2,6,7	Special burner material.
867 "Vulcan"	34	petrol	handle	2 ¼ litres	vertical	1	Special burner material.
868 "Vulcan"	35	petrol	handle	3 1/3 litres	vertical	1	Special burner material.
871 "Ideal"	1	petrol	internal	0.166 litre		1	Tubular lamp
872 "Ideal"	2	petrol	internal	0.166 litre		1	Tubular lamp
875 "Ideal"	31	petrol	internal	0.166 litre		1	Tubular brander
877		petrol	internal	3/8 pint		2	Brander
880						3,6,7	SHSI 1929
880 A		petrol	internal	3/16 pint		2	SHSI ½ lb copper
880 B		petrol	internal	3/16 pint		2	SHSI ¾ lb copper

References: 1 RECEUIL 2: 2 PRIMUS 1938 catalogue: 3 PRIMUS 1950s catalogue: 4 G Stubbs files: 5 Keith Hawkins files: 6 Dave Stennet list: 7 Chris Naylor list: 8 PRIMUS USA & Lovett US catalogues: 9 Michel Duval files

Model	Old #	Fuel	Pump	Capacity	Burner	Ref.	Notes / date
881 "Phoenix"	1	petrol	internal	1/6 litre		1	SHSI
882 "Phoenix"	2	petrol	internal	1/6 litre		1	SHSI
883 "Phoenix"	31	petrol	internal	1/6 litre		1	SHSI
884 "Phoenix"	32	petrol	internal	1/6 litre		1	SHSI
885 "Phoenix"	50	petrol	internal	1/6 litre		2	SHSI
886 A		petrol	internal	3/16 pint		2	SHSI ½ lb copper
886 B		petrol	internal	3/16 pint		2	SHSI ¼ lb copper
887						7	
888 B		petrol	internal	3/8 pint		2	SHSI wind shield ¾ lb copper
888 C		petrol	internal	3/8 pint		2	SHSI wind shield 1 ¼ lb copper
889		petrol	internal			7	
889 A		petrol		3/8 pint		4	
889 B		petrol	internal	3/8 pint		2	SHSI 7/8 lb copper
889 C		petrol	internal	3/8 pint		2	SHSI 1 3/8 lb copper
890		petrol				5,7	(SHSIs) 1929
890 A		petrol	internal	3/8 pint		4	
890 B		petrol	internal	3/8 pint		2	SHSI wind shield ¾ lb copper
890C		petrol	internal	3/8 pint		2	SHSI wind shield 1 ¼ lb copper
892		petrol	internal	3/8 pint		2,3	SHSI extra wind shield 1 ¼ lb copper 1930s
893		petrol	internal	0.23 litres		9	SHSI like 892, heavier copper 0.75 kg.
910		spirits				9	Mouth-blow lamp
911		spirits				9	Mouth-blow lamp
951		petrol	internal	3/8 pint	special	2,5	Tubular paint stripper 1900+
951 "Primus"		alcohol		1 litre	vertical	1	Lineman's for soldering electric wires
1137						9	Tripod for No. 85 / 185
1205				¼ pint		3	Used to melt sealing wax
1395 A		petrol	internal	1/3 pint		1	SHSI 11/16 lb copper
1395 B		petrol	internal	1/3 pint		1	SHSI 6/8 lb copper
1395 C		petrol	internal	1/3 pint		1	SHSI 1 lb copper
1395 U		petrol	internal	1/3 pint		1	SHSI no copper
1910		Petrol or paraffin	internal	1 quart	inclined	8	Primus / Lovett USA plumbers' & electrician's torch with SI holder and carrying handle

GLYNWINNA



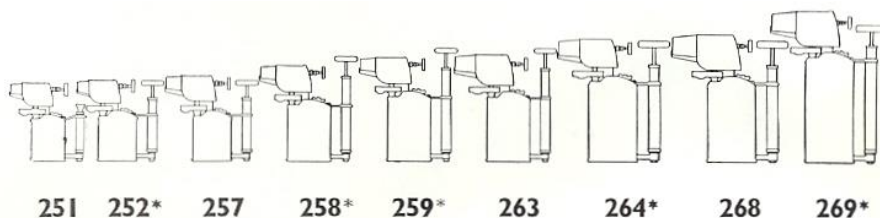
These photos of a **GLYNWINNA** lamp were supplied by Bob Prichard.

Long-time collector of blowlamps, Dave Rees, says that the name **GLYNWINNA** comes from the name of a long-defunct industrial estate near Swansea in Wales, where the company that distributed these lamps was located. His recollection is that the company went out of business and the buildings were bulldozed just after the Second World War.

John Tingle reports that he has seen the **GLYNWINNA** nameplate on several lamps, including an **AMOR** ½ pint petrol with inclined burner (name on underside of tank), a 1 pint paraffin lamp with wound-cane-handle, and a 1 quart paraffin, pump-in-handle.

SIEVERT Nos. 251 -269 SERIES

Max Rhodes wrote to say that he is looking for a No. 268 **SIEVERT** lamp to complete his collection of the series shown here. From the left, they are Nos. 269, 264, 263, 259, 258, 257, 252 and 251.



Data on capacity, consumption, output, etc.

Type without "Quickstart" device Sievert No. Code Word	251 Gesek	252* Getta	257 Gesju	258* Gerde	259* Germa	263 Geott	264* Getro	268 Gebin	269* Genio
Type with "Quickstart" device Sievert No. Code Word	251 T Geten	252 T Gelle	257 T Geslo	258 T Genta	259 T Genor	263 T Gelar	264 T Genbe	268 T Geldi	269 T Genas
Container size.....	pts. 1½	1¾	1¾	2¾	3½	3½	5¼	5¼	7
Normal fill up.....	pts. 1¼	1⅝	1⅝	2⅝	3¼	3¼	4¾	4¾	6½
Consumption per hr. at normal pressure.....	pts. 1½	1½	2½	2½	2½	4⅜	4⅜	5⅝	5⅝
Maximum consumption..	pts. 3	3	4¾	4¾	4¾	8¼	8¼	11	11
Length of flame.....	ins. 11	11	16	16	16	17¾	17¾	21¾	21¾
Diameter of burner tube	ins. ¾	¾	1⅙	1⅙	1⅙	1⅜	1⅜	1⅝	1⅝
Distance from bottom to centre of burner tube	ins. 7⅞	8¼	8¾	9¾	10⅝	10¾	12½	13	16
Diameter at bottom.....	ins. 4⅞	4¾	4¾	5¼	5¼	5¼	5¾	5¾	5¾
Weight without 'Quickstart' excl. Cardboard box...	lbs. 3⅛	3¾	4¼	4⅞	5¼	5¾	7⅞	8⅜	9½
Weight with 'Quickstart' excl. Cardboard box...	lbs. 3¼	3⅞	4⅝	5	5⅝	5⅞	8	8½	9⅝



* This lamp has the same burner as the preceding type No. but larger tank thus giving longer burning

This series of **SIEVERT** lamps was also offered with a **QUICKSTART** feature, with the addition of the suffix "T" to the model number. The feature is seen here on a model 258.



**SIEVERT—
ALWAYS AHEAD**

The "QUICKSTART" may be fitted to every SIEVERT Blow-Lamp which is provided with a Screw Cap thus

Sievert's "QUICKSTART" Lighter is a rapid preheater for Blow Lamps which simplifies the lighting operation in a revolutionary way. The powerful flame of the Quickstart Lighter is directed on to the burner of the Lamp, and thus reduces the time required to preheat a medium sized Blow Lamp to less than one minute. The preheating flame is produced by atomizing the actual burning fuel of the lamp and no special spirit is thus required. The Sievert "QUICKSTART" is indispensable for use when speedy lighting is required in exposed conditions and during bad weather and under all other circumstances.

The construction of the Lighter is simple, practical and strong and is designed to suit all types of Sievert Blow-Lamps which have the screw cap for lighter fitted in the top of the container.

Data about Sievert's "Quickstart" Lighter

Quickstart Lighter Sievert No. Code word.....	6162 Fitvo	6164 Fifyr	6165 Fifem	6850 Fifus
Fitting the following Blow Lamps Nos.	251, 252 257, 258 290 569-574 590	259, 263 575-576	264, 268 577	269 579
Length of Rising Tube..... ins.	5	6½	8½	11
Weight..... ozs.	2½	2¾	3	3½

Later versions of some of these lamps were designated **SIEVERT** Model Nos. G5, G6 and G7



HALYCON BRAND

The **HALYCON** brand five-pint paraffin brazing lamp shown here was one of a number of blowlamps made in Britain using the design patented by the German company **Barthel**. Note the ribbed handle, the Tee-shaped pump handle, the pressure gauge, the shut-off valve in the diagonal feed-pipe and the massive burner.

The London distributor of cycle and motor materials Brown Bros. advertised the **HALYCON** five pint oil lamp as "BRITISH MADE".

Lamp **brands** / makers with designs based on the Barthel patent included A-E, **CRISCOL** by Christopher Collins, **CORONA** No. 115 by Howes & Burleigh, **DOESIT**, **DUCO**, **MILLENIUM** by Lake & Elliot, **Monitor** No. 52, **KELITE**, **Lidgerwood** No. 5, **ORIFLAMME** by Kings Norton, and Wm Soutter & Sons. These makers sometimes offered the alternative of a two and a half pint version.

The photo of this fine rare **HALYCON** lamp was provided by Bob Prichard.

**INCLUDED IN THE NEXT ISSUE**

British-pattern Blowlamps made in India in the British Style.

Sievert History

Art and the Blowlamp

Early History of Blowlamps

Your contributions of stories from steam fairs, unusual lamps, and photos, photos, photos!

BLOWLAMP NEWS is published in March, June, September and December. Any items for inclusion should be with the editors at least four weeks before the issue date.

Contacts:

Keith Hawkins, 28A Rectory Close, Carlton, Bedford, MK43 7JY

Tel. 01234 720974

Graham Stubbs, 17715 St. Andrews Drive, Poway, CA 92064, USA

gstubbs222@aol.com

The editors' thanks go to Michel Duval, Keith Hawkins, Chris Naylor, Bob Prichard, Dave Rees, Max Rhodes, and John Tingle for contributions to this issue of BLOWLAMP NEWS.