

BLOWLAMP NEWS

No 65

SEPTEMBER

2008

The Newsletter of the Blowlamp Society – Founded by Les Adams, August 1992

AUTUMN GATHERING

The response to the invitations to this year's Autumn Gathering has been very poor, with only 9 members showing an interest in attending at the time of preparing this newsletter. The meeting which will be held at Toddington on 25th October has been a great success in past years and it would be a pity to see it drop off the calendar through lack of support.

The day gives an opportunity to talk with other collectors, display your prized blowlamps and make a few deals on the side. Add in a three course lunch and you will all agree that it is a good day out.

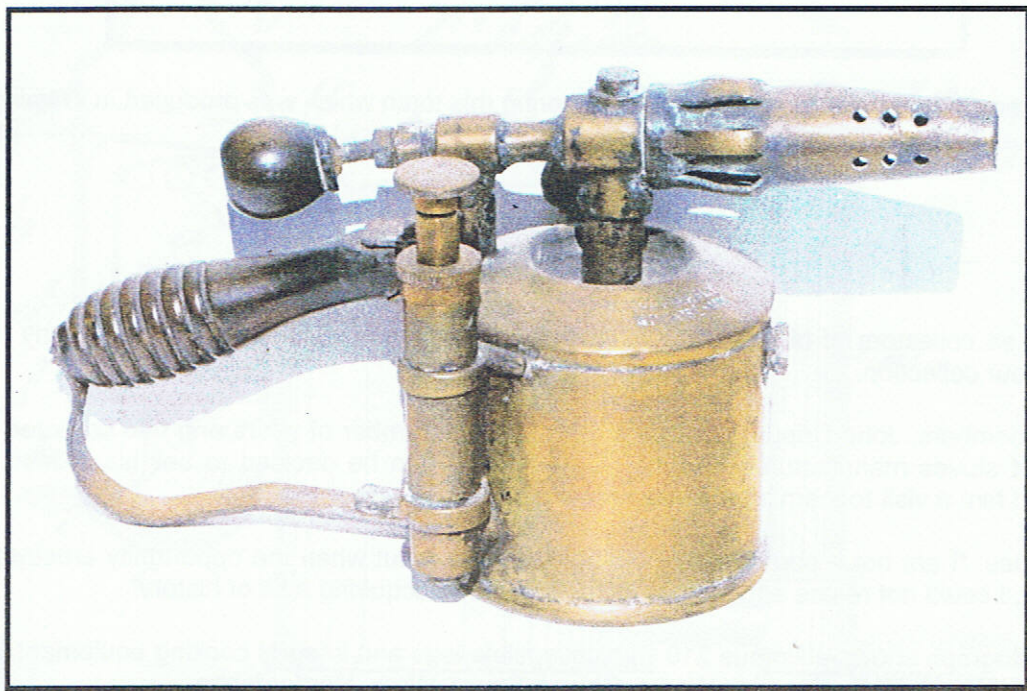
There is still time to add your name to the list by contacting **Keith Hawkins on 01525 290122.**

BN64

Following on from Keith's article on Lenk blow torches, Charles Smith has added the following comments.

"Top of page 3; I agree with Keith. I think this is a Lenk torch with an unknown model number, as shown on page 274 of Vintage Blowtorches. It may have been produced for sale by Montgomery Ward & Co. It is missing the clip and pre-heating tube as noted by Keith. Bottom of page 3; I do not believe the torch on the left is a No 125. The Red Dragon torches have a smoothly curved handle like that on the top of the page. I believe the torch on the bottom right is a Lenk No 17 Imp, like that shown on the lower right of page 268 of Vintage Blowtorches."

Graham Stubbs was interested in the article about Wrights of Lymm; he has a Firefly, which has a turned wooden handle and wonders if it is an early model.



On page 8 I included a picture of an American Invincible torch and Charles Smith has sent the following photograph of the torch which is now in his ownership.



As you can see Charles has done a fine job in restoring this torch which was produced in Wilmington, Illinois.

PRIMUS STOVES

Many of us, as collectors of blowlamps, are aware of the Primus Stove and probably many of us will have one in our collection.

One of our members, John Cripps, worked for Primus for a number of years and had collected some of the important stoves manufactured by that company. When he decided to sell his collection, Keith Hawkins paid him a visit to learn all about what he had.

Keith continues: "I am not a particular fan of cooking stoves, but when the opportunity arose to acquire the following, I could not refuse and jumped at the chance of acquiring a bit of history.

The first photograph shows a Primus 210 with collapsible legs and integral cooking equipment, made by 'Tombrö' at the Westcliff Engineering Works, Church Street, Ware, Hertfordshire.

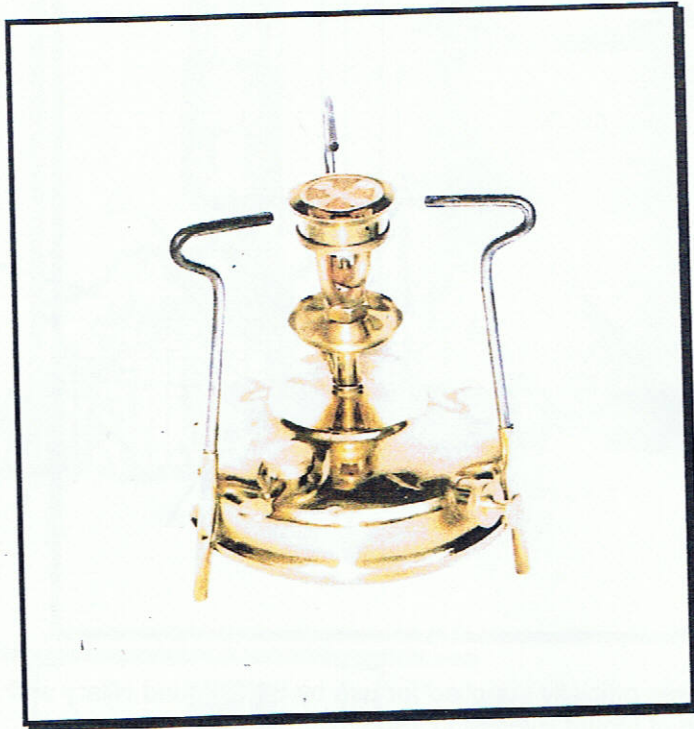


The serial number is ES11 and was officially supplied for use by Sir Edmund Hilary and Sherpa Tensing whilst on their historic conquering of Mount Everest in 1953.

The stove fits underneath the aluminium pots, the burner projecting through a hole in the base, together with 3 uprights which are then held in place by the 3 screw on knobs. Inside the aluminium outer is a container for water, on top of which is an actual cooking pot and a lid which has a cone shaped container, possibly for boiling an egg and a final lid on top of the whole thing. The cooker and aluminium container is all strapped together for carrying.

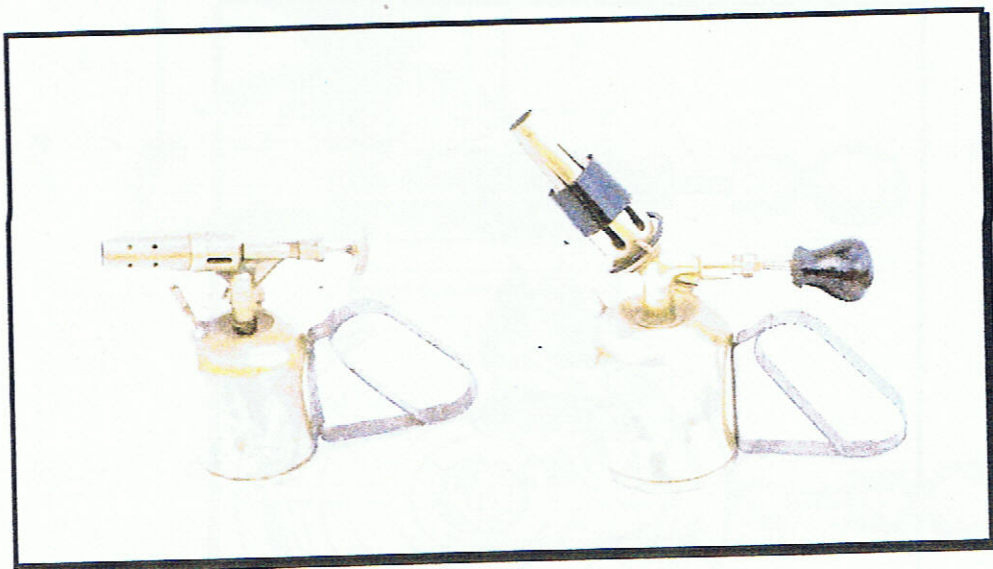


The second photograph shows a Primus No5 and is reputed to be the 3,500,000th stove made by Primus and sold by Condrup Ltd on 8th November 1938, hence the wording on the small plate attached to the burner tube. The actual stove has an AB date underneath the tank, so quite why it took until 8th November 1938 to sell I have not been able to discover.



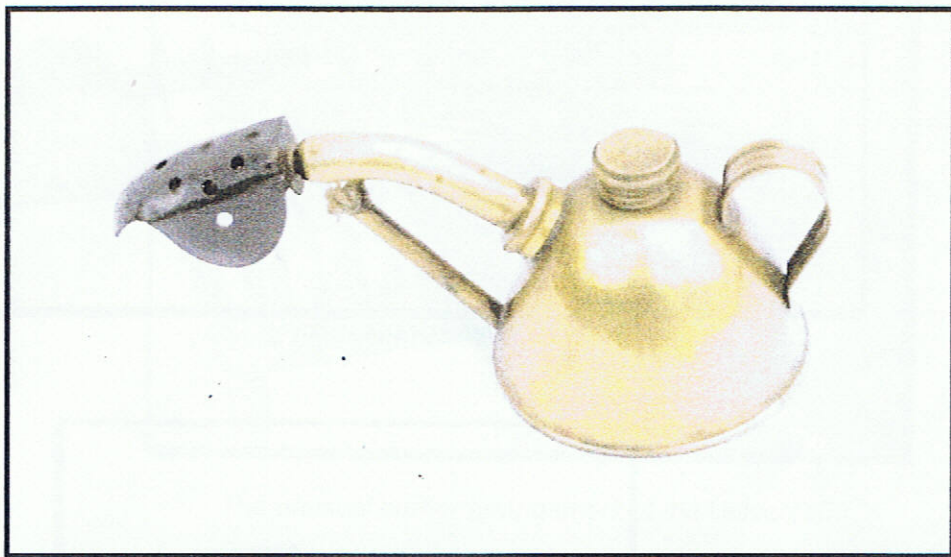
Finally, this is a photograph of a Primus 54, which was one of several used on the first fully 'Trans Antarctic' expedition led by Sir Vivian Fuchs in 1955."

MINIATURE BLOWLAMPS
by
Keith Hawkins

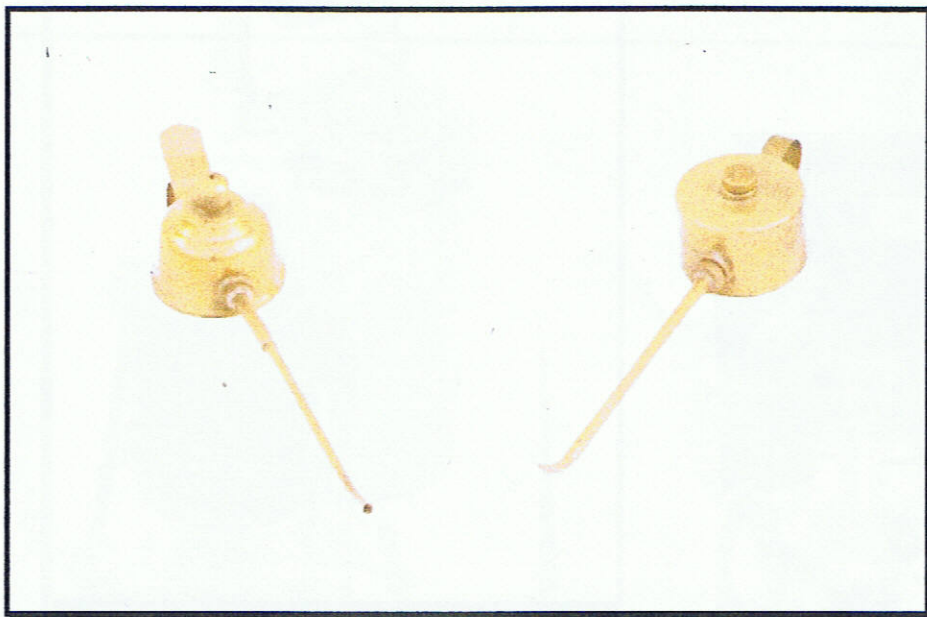


This first photograph shows 2 Herbergs blowlamps; the first one is a No95, rather spoiled by the addition of a bicycle pump connector right underneath the burner. It is of 1/6th litre capacity and burns petrol. Its number is not on it and only the Herbergs logo is in evidence with the wording "Original Herbergs Lotapparate" engraved into the tank.

The second lamp is a No98 of 1/5th litre, also petrol fuelled and has its number beneath the Herbergs trademark.



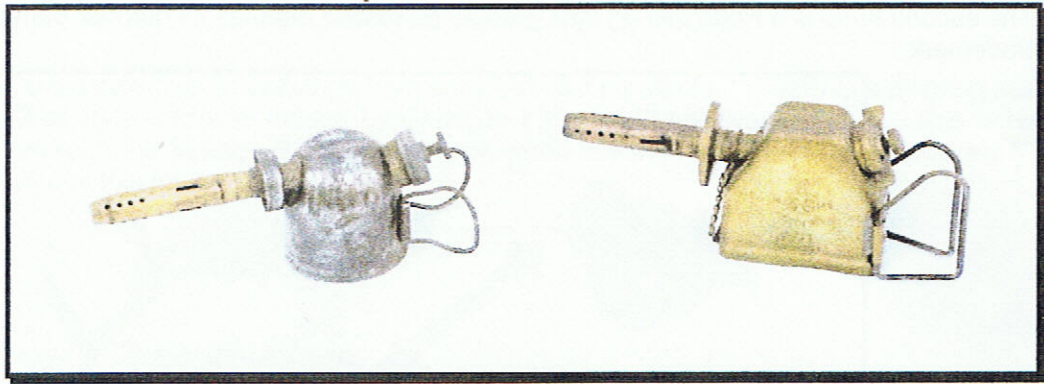
This photograph shows a Hecowa which is unmarked except for DRGM on the filler cap. This is not listed in any catalogue that I have, but is about ¼ litre capacity, fuelled by alcohol, German by make and is used for the removal of stubble from newly plucked birds.



Here we have two very small spirit lamps, the right hand one was bought new a few years ago from a wholesaler in Dartford, Kent and the other I found at the Almere rally in Holland a couple of years ago. Neither have names on, so the manufacturers are unknown. Even the wholesaler did not know or would not tell me the manufacturer.

These are alcohol fuelled and are used by piano tuners to apply a little warmth to warped hammers, which can then be bent straight using a finger and thumb.

The next photograph shows 2 Hahnel lamps, both numbered 401 and not looking the least alike. Presumably the brass one is of later manufacture; both are petrol fuelled.

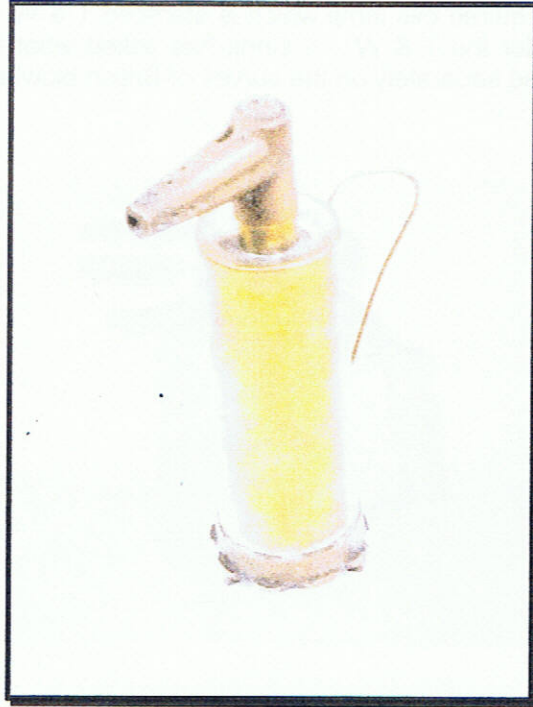


Hahnel 401's



This is a Turner 100; an unusual and nice little lamp, but unfortunately during its life has lost both its control knobs and with the valves themselves totally rusted in place. It is $\frac{3}{4}$ pint capacity, alcohol fuelled and burns approximately $\frac{1}{4}$ pint per hour. Particularly for use where the operator wanted a high heat for fine soldering, and like other Turners, the burner could be set in any position required.

The final offering is an Otto Bernz No30. This lamp has the correct base casting incorporating the No30, the handles and burner also appear genuine, but the number on the tank reads No10 and is upside down. This is a $\frac{1}{2}$ pint lamp, alcohol fuelled and it would seem that it will work any way up, even upside down. It produces a very hot flame, of particular use for electricians and radio workers. Also useful in laboratories, autos and in the home; it was produced in the 1920/30's.



The Otto Bernz No30

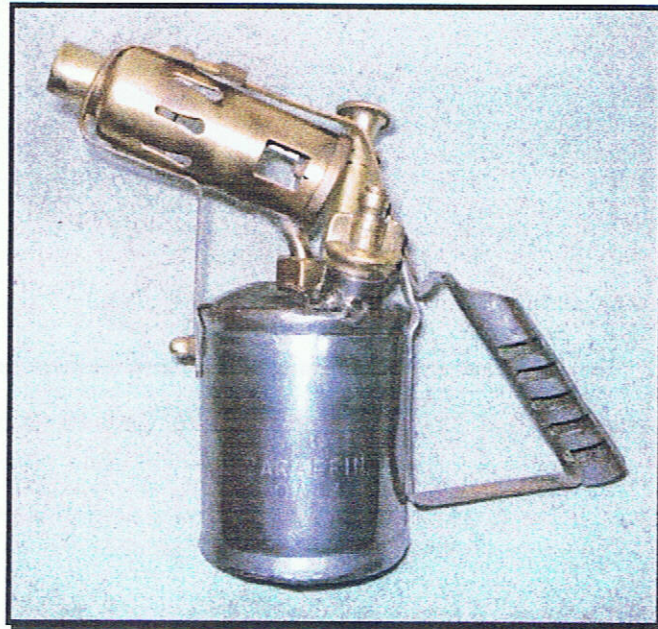
2009 CALENDAR

This seems an appropriate place to advertise the 2009 calendar as the theme is miniature blowlamps.

Again, we have to have orders for 25 or more to get a reasonable price so if you are interested, please forward your name and requirement to me before the end of September. Hopefully the price will be similar to last year, approximately £10-00, but if we are unable to order at least 25 the price jumps up to £15-00; please indicate if you would still be interested at the higher price.

You can contact me by telephone, 01449 615648 or e-mail at ray.hyland@btinternet.com

IDENTITY & ASSISTANCE



T & W – British Safety Stove Co

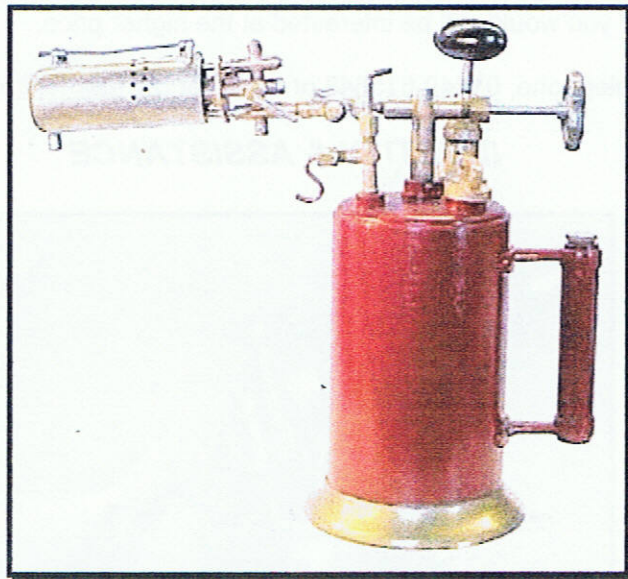
Chris Naylor has recently acquired this lamp which is stamped T & W (Turley & Williams) and also has British Safety Stove Co under the T & W. Chris has asked what the connection is between the 2 companies as they were listed separately on the survey of British blowlamps.



Bob Prichard has found this lamp marked I.M.Sadu STAS 7940-80 and has been unable to find any reference to it in any literature he has. Can anybody help; it stands about 25cm high and is 1 litre capacity.

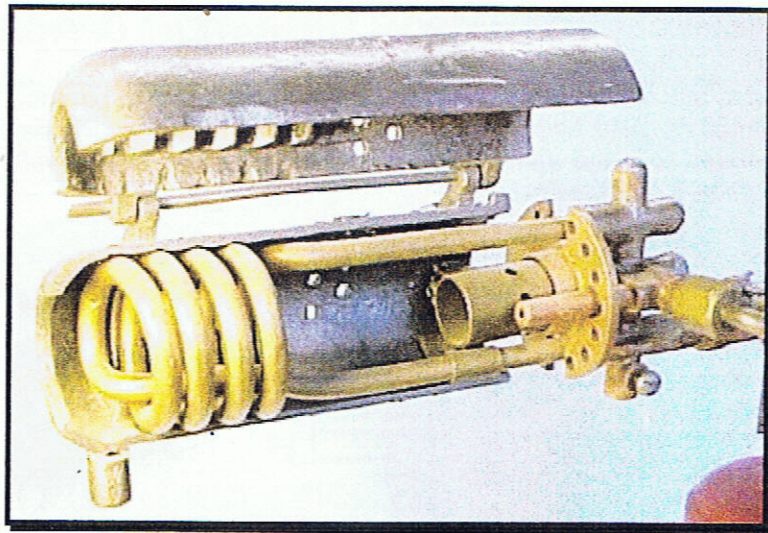
UNIVERSAL TORCH & MFG Co.

Paul Whiddett has sent in the following pictures of a rare blow torch with an unusual burner, which was recently for sale on ebay.



The torch was manufactured by the Universal Torch & Mfg Co and is based on the inventions of Christian Filzer.

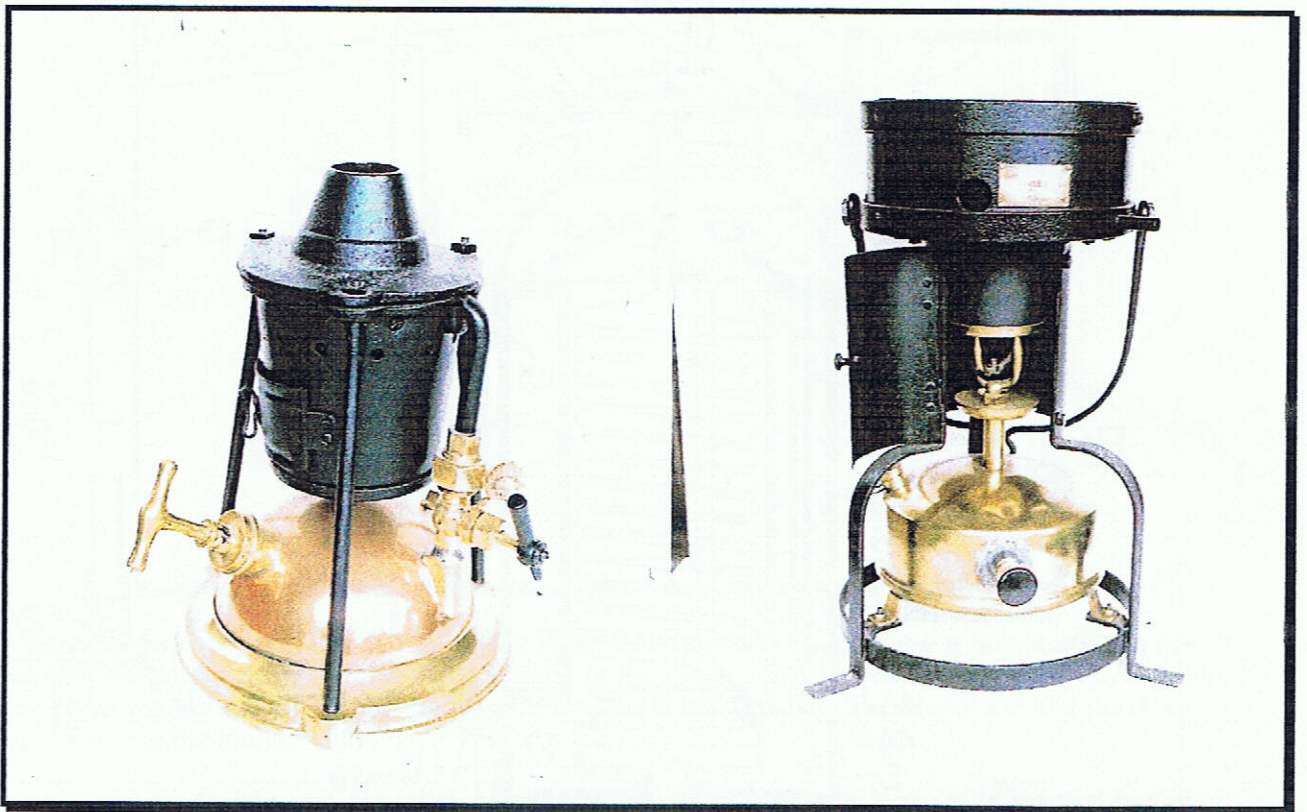
If you look closely at the photograph you can see that there is a hinge mechanism on the burner which allows it to be adjusted to any angle. (Vintage Blowtorches page 456)



The unusual burner arrangement of the Universal.

FURNACES

Following the comments I received after BN64 I thought I would include 2 more furnaces for those members, who like me, think they are worth collecting.



The furnace on the left is by The Portable Furnace & Patents Co of Nottingham and the one on the right is by Monitor. Both furnaces are owned by Keith Hawkins.

FROM THE PATENT OFFICE

The following are a selection of drawings from early blowlamp patents. Firstly is a drawing from patent number 11432 of 1910 and was lodged by Christian Filzer of Pennsylvania, USA. This is one of the patents referred to in the Vintage Blowtorches book when making reference to the Universal blowtorch, shown on page 8 of this newsletter.

Fig. 3.

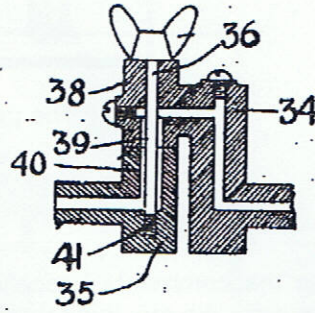
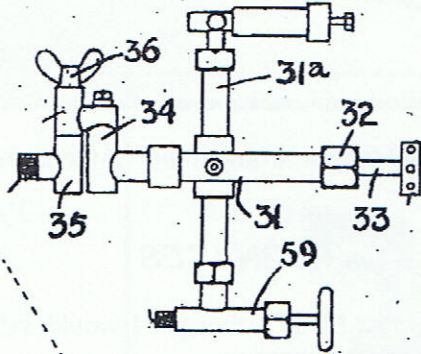


Fig. 4.

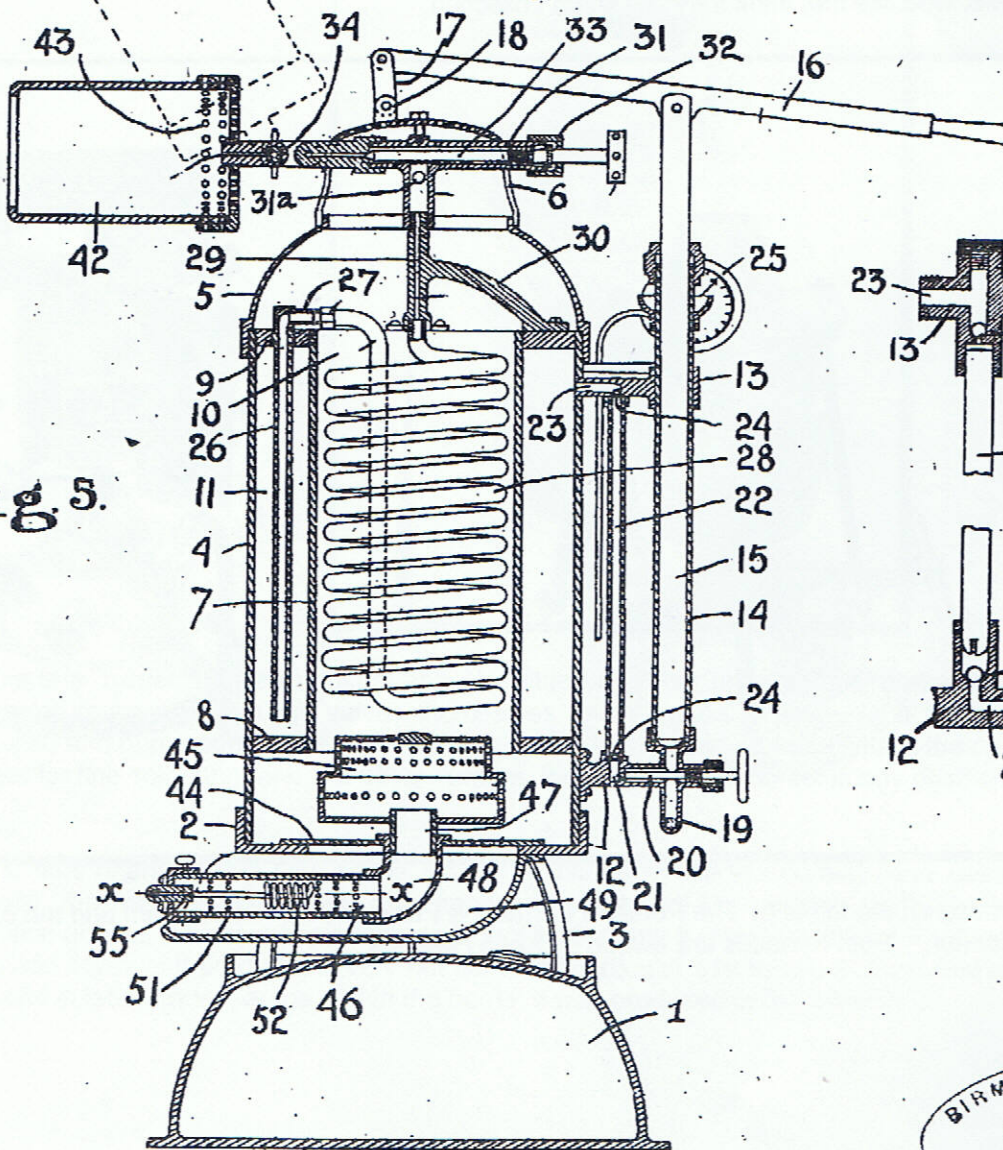


Fig. 5.

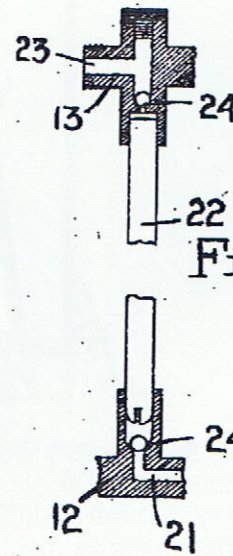
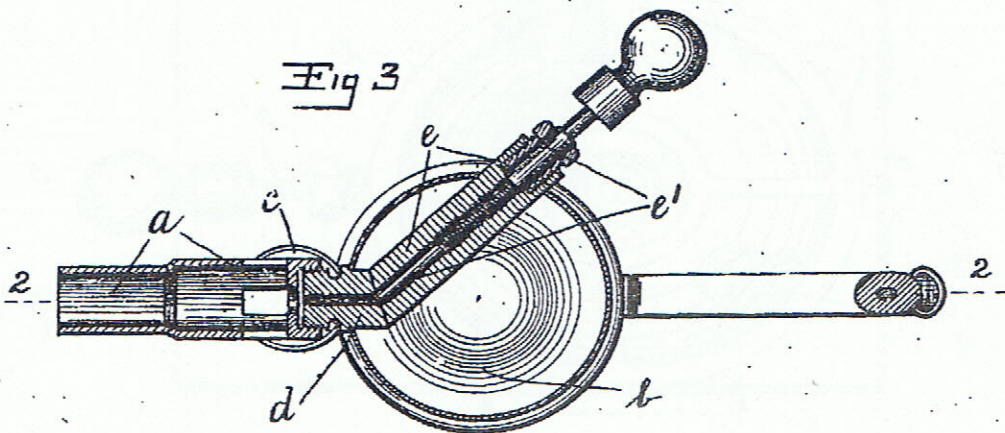
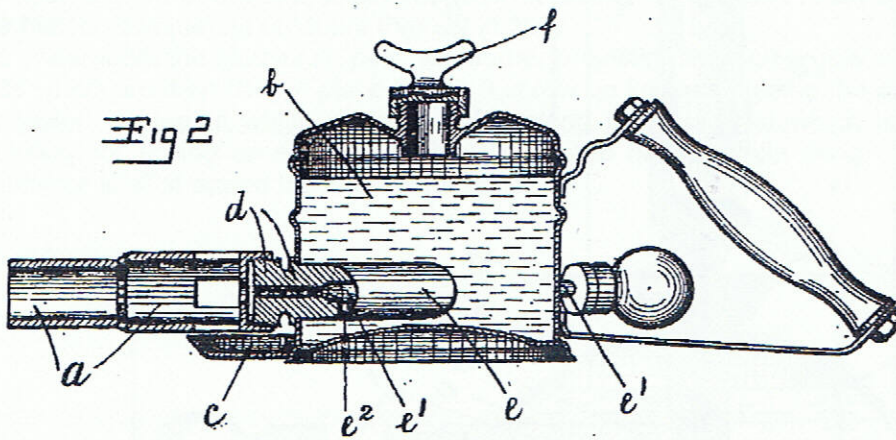
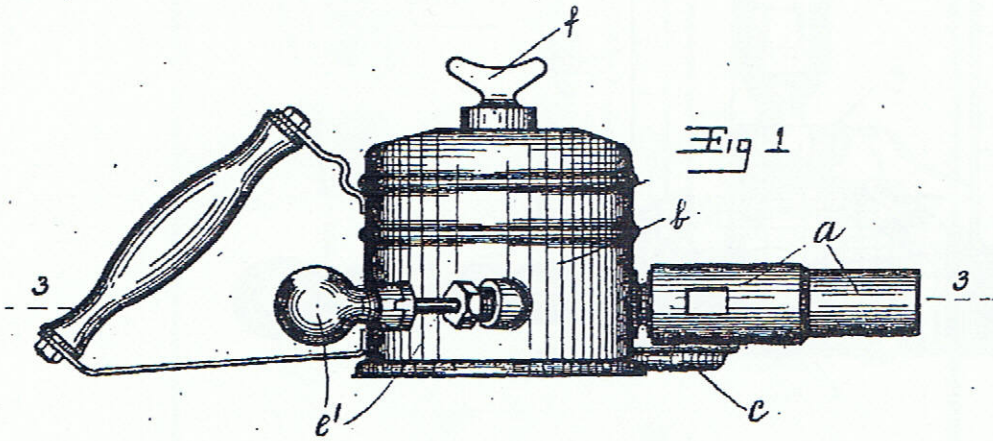
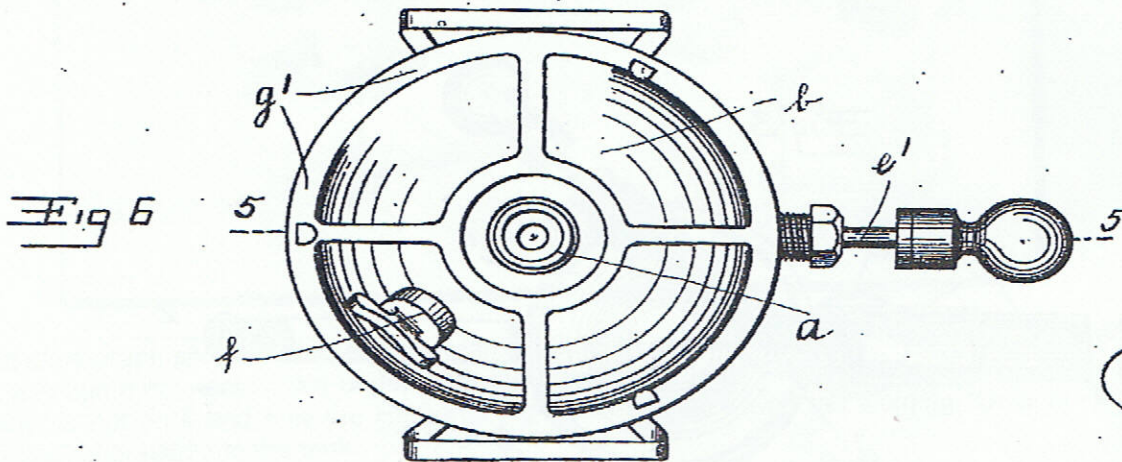
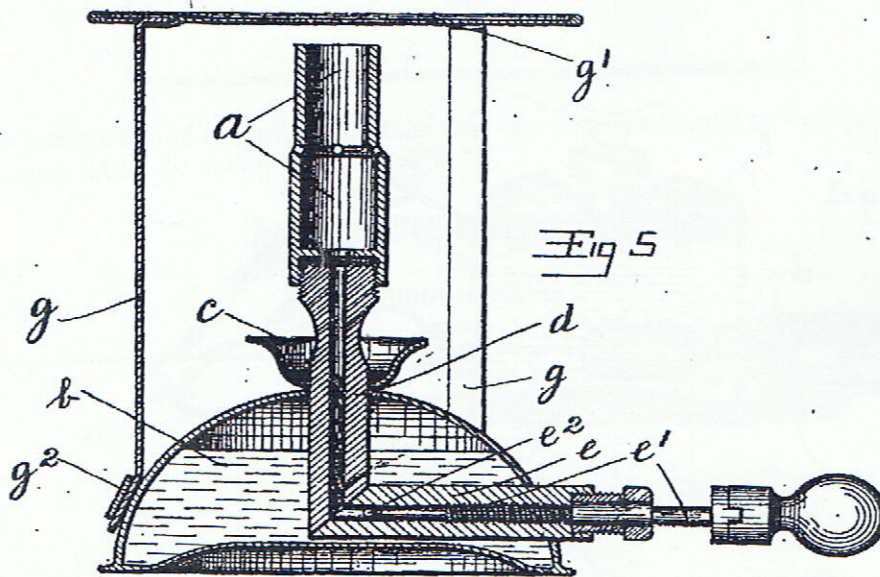
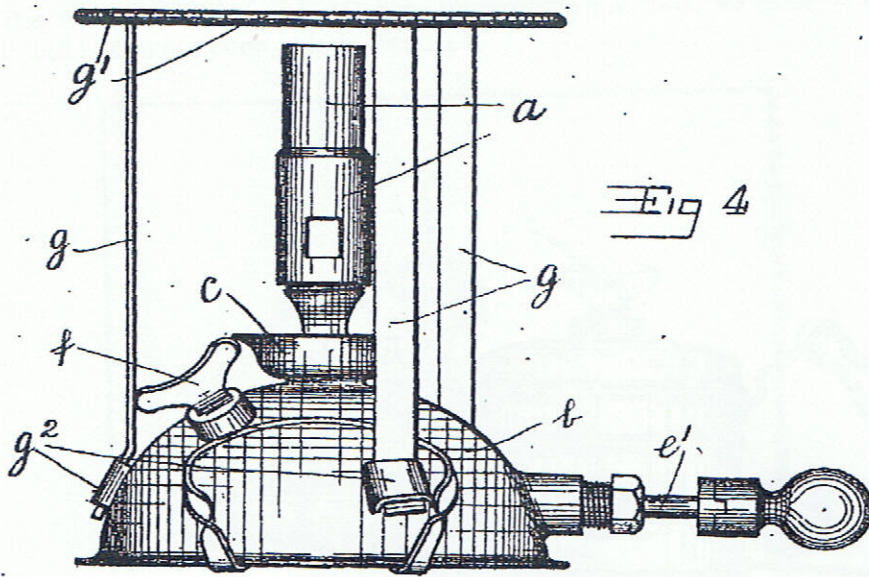


Fig. 6.

BIRMINGHAM
FILE
LIBRARIES.

The next 2 drawings come from patent number 9551 of 1909 which was assigned to Walter Green of Birmingham. These are very interesting blowlamps and I wonder if any were ever manufactured and have survived into someone's collection.





BIRMINGHAM
FREE
LIBRARIES

The final drawing is from patent number 17021 of 1912 and was assigned to Arthur Remington of Birmingham. I have included this because the principle of being able to use the lamp in a horizontal or vertical position, reminded me of a lamp I have which was manufactured by the Gas Lighting Improvement Company.

Fig. 1.

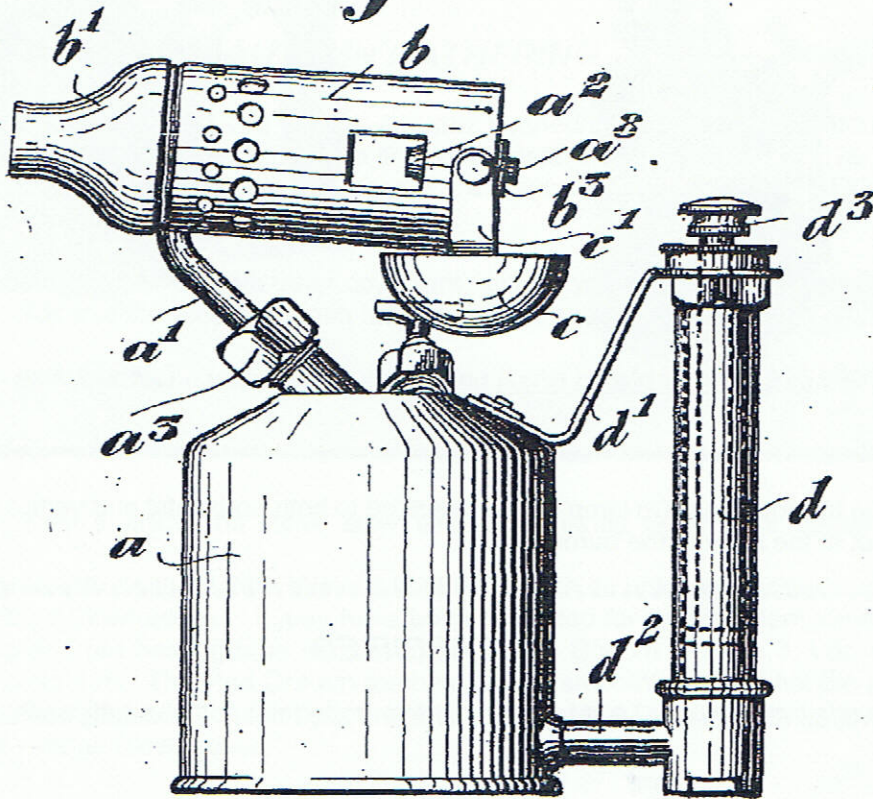
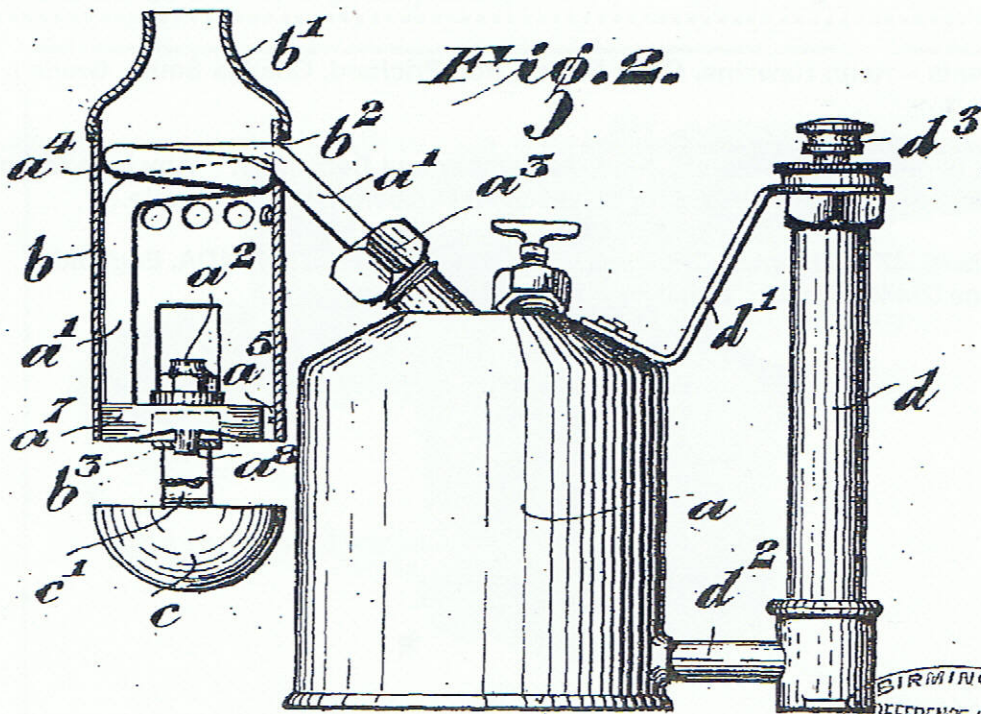
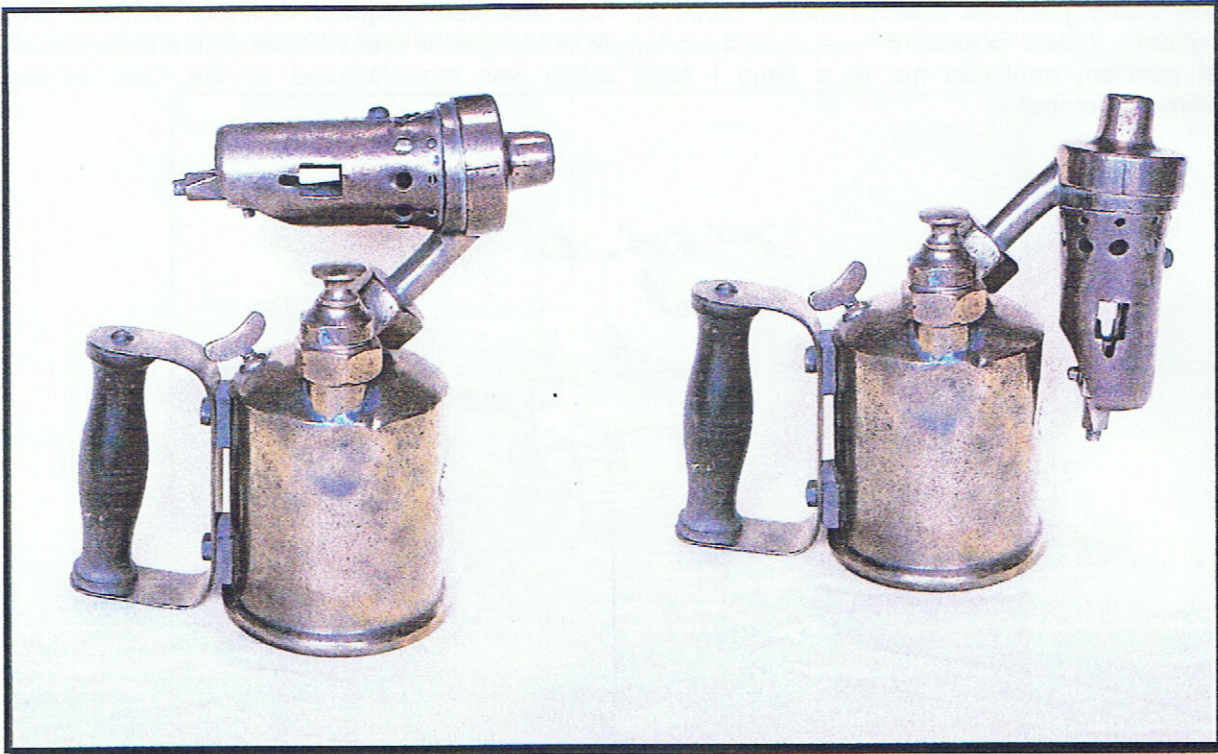


Fig. 2.



BIRMINGHAM
REFERENCE LIBRARY
PUBLIC



The Gas Lighting Improvement Co lamp can be adjusted to both horizontal and vertical forms, just by loosening the nut at the base of the burner tube.

CLASSIFIED

For Sale – Blowlamp Society sweatshirts, polo shirts and key rings. For details contact Ray Hyland on 01449 615648.

Wanted – Tangye vertical blowlamp No 3047 – cash waiting – contact Ray Hyland on 01449 615648.

Acknowledgements – Keith Hawkins, Chris Naylor, Bob Prichard, Charles Smith, Graham Stubbs and Paul Whiddett.

Blowlamp News is published in March, June, September and December. Any item for inclusion in the next issue should be with the Editor at least 4 weeks before the issue date.

Editor – Ray Hyland, 47 Lockington Crescent, Stowmarket, Suffolk, IP14 1DA, England
Telephone 01449 615648 Email ray.hyland@btinternet.com