

Blowlamp News

No 20

August

1997

Our first general meeting at Bloxham in April was a great success.

Some 25 members, with several wives (perhaps I ought to reword that - unless we have a collection of Mormons!) and a couple of friends started arriving well before the official opening. When Gina and I arrived with the food and drink there were three or four busily setting up several hundred blowlamps on tables. Unfortunately there were not enough of these and Sheila Cleaver felt that, as she had to live in Bloxham for the rest of the year, she ought to ask if we could use the Table Tennis tables. When this was turned down Dick Cleaver found more tables which helped to spread out the display a bit. There is no real information about how many there were there but Andy Feast reckoned that there could not be less than 1000. All shapes and sizes, and from many countries. Tom Bartlett had used the flags of the country of origin as markers and this added some colour. He'd painted the flags, not photographed them, so they were probably accurate!! The largest and arguably the ugliest exhibit was Norman Penny's (his blowlamp **NOT** him). He had the Sheen X600 on show. You'll see his contribution of the page on "Sheen" Flame Guns in this letter.

The girls did a grand job of feeding us and Gina and I are particularly indebted to both Sheilas,-- Fairbrother and Cleaver.

The Fairbrother Sheila for her vegetarian quiche and her great work in the kitchen, and the Cleaver Sheila, again for her culinary help, but especially for doing all the preliminary work in booking the hall and generally doing the local contact work. Our only problem of the main part of the day was parking cars but somehow I don't think anyone got clamped.

Apart from the natural interest in looking at the vast array of lamps- probably never before has such a number been seen together at one time in this country - many members were able to swap duplicates, and I think most were satisfied with their exchanges.

We had a short chat afterwards and the general consensus seemed to be to leave the organisation roughly as it is and not venture into the business of making a formal club of "The Society" I believe we can still call ourselves such as I don't think a constitution or any formality is needed to be able to use that title, which is an easy one to use.

A photo quiz was not very well taken up. Perhaps many thought it was too complicated but really it wasn't. **John Byrne** was the winner which is probably what sparked his idea of presenting one for this edition of the newsletter.

One sad episode at the end of the day. When everyone was clearing up and packing away the many exhibits, and making numerous journeys out to cars and vans, Brian Grainger "lost" four lamps. I have spoken to several people who were there but so far have had no response to their disappearance. They were in a plastic bag and stacked in the corner of the hall on the right of the door as you would face it on the way out. No one else was in the hall during that day so their whereabouts must be known to one of our members. It is to be hoped that we can rely on them being returned.

Brian describes them as follows:-

- 1- Lamb No 1
- 2- Lenk of similar pattern
- 3- Barthel with missing pump
- 4- A non-standard machine shop produced lamp which could have been an "apprentice" piece and which will be easily recognised.

I am optimistic that someone has found them among their collection when they unpacked on their return home. If not, then regretfully there is only one assumption and that is not a nice one among a small group of friendly collectors and would make one extremely anxious about arranging further such meetings. So please look closely at what you brought back from Bloxham and let me know if one of you has Brian's lamps. We can always find some way of getting them back to him.

B/N 19 Recap

Filler caps

- a) is on a small 0.25litre petrol Sievert designated **A1**. Unusually the cap is provided with two flats for a spanner but arguably this could also be for dismantling the safety valve since there is also a large knurled area on the side. Unfortunately I've not been able to dismantle mine so cannot illustrate the exploded view. Can anyone else oblige? I have another lamp, probably an earlier model which is not marked **A1** but which is in other respects the same. The burner tube is fixed to the "jet head" by set screws.

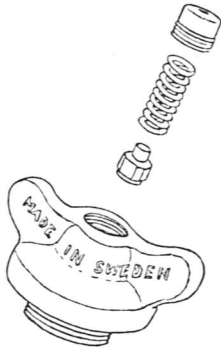
(We've still not yet worked out this terminology as only half the members have so far returned their questionnaire forms so please look to it!)

John's Quiz

The older model has three screws, one at the top and one on each side, while the one whose filler is illustrated has only one at the top. Its burner tube has three holes but the burner head has no tappings for the screws.

The older lamp has a flat topped and knurled filler and its safety valve is a small spring-closing unit soldered into the shoulder of the tank.

b) exploded view of the safety valve of the Optimus filler cap seen on a "modern" 2 litre brazing lamp



I apologise for the poor quality of the reproductions of the folding handle lamps. Unfortunately this is a problem we've not yet solved despite some discussion and further experiment following Bloxham. The results from this are not yet available.

The **Flame Gun** is a **Sheen X300** which can have a hood fixed to the two upright lugs on the top of the burner tube. Norman Penny has sent the Sheen catalogue page dated 1962 detailing their range at that time. Anyone know if they are still in production? There is a variation in the stand underneath the tank, from a sledge-like skid to a steel strip bracket support. Anyone any ideas on the date change of this? A wheeled undercart can be clipped to these stands for use in conjunction with the hood. Also it seems from the pictures that the logo may have changed so has anyone any detail of these logos for me to draw?

Questions from "The Gazette"

No replies so far, yet I see that John Byrne has included "Vibha" in his quiz, so perhaps we'll learn about that later.

There is no entry fee and all you have to do for John is complete as many answers as you can and write your name on the **BACK** of the enclosed form and send it to me **before September 6th**. John has offered a nice soldering torch as a prize for this, so give him plenty of support. For me you can also send any information you have about any of these lamps, what you know about them or the manufacturers, whether you have one or pictures or drawings for publication. This can be a help to everyone in the future.



Lee McGuckian gave me this interesting badge of the **Wiltshire Constabulary**. I wonder if any of them collects lamps or of they realise the significance to us of their motto. It means of course "*First and Best*" I wonder also if there is any connection why in many T V film series Police Sergeants often refer to their superiors as "Gov'nor"? There will definitely be **NO** prizes for any more puns!!

Badges

Can be available fairly soon if there is a sufficient order. They will be as in the logo most of you have seen, in brass with a blue centre and a white outer ring. Fixing can be either by safety pin or stud as required. The cost will be £2-50 for one or £4-50 for two, inclusive of post and packing.

If I can have some definite orders soon and there are enough of them I'll organise the makers. State which fixing you want but don't send any money yet

Index

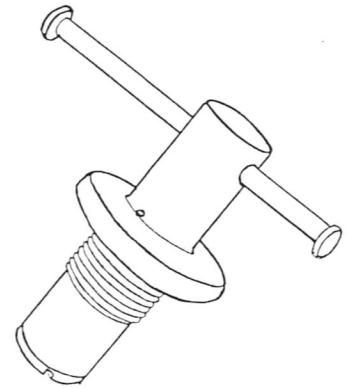
Now what about some more volunteers to start on the Index? We've got a couple so far but until we have enough I cannot divide up the work fairly. Once it is done it will be an easy matter to maintain and will make reference to previous information much simpler. So lets see those hands go up to offer - the more we get the less each one has to do!

Now an assortment of drawings for you to comment on, but *please do so* as I am fast running out of copy to print. If you don't send me the material I can't print it and *Blowlamp News* will get smaller and smaller and possibly even fade away altogether.....!

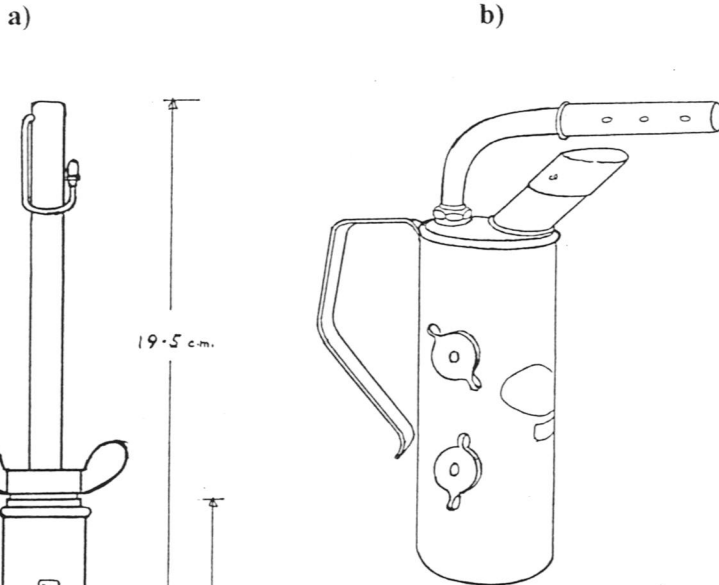
Two logos



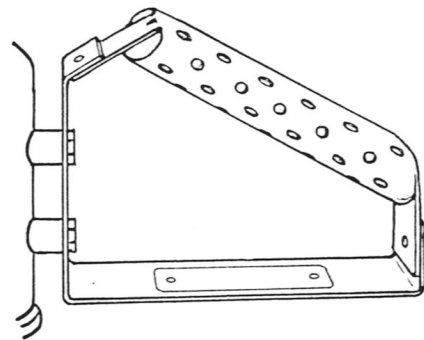
Filler cap



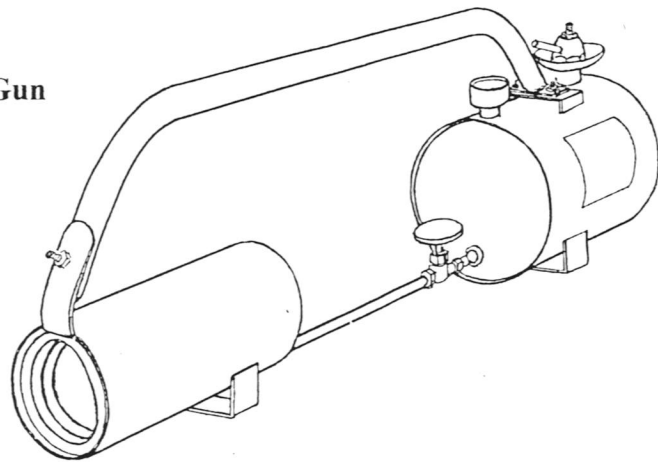
Two alcohol fuelled automatic lamps



Handle



Flame Gun



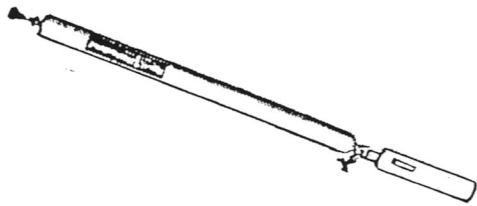
Rallies.

The season is fast coming to an end. I've done no shows again this year and though I shall be at Stourpaine setting out the collections pitches I've dropped out of exhibiting for this year. This will allow them to start the idea of limiting the number of entries of the same type to once every two years.

I believe Keith Hawkins will be there but I don't know who else has been accepted this year. I'll be around to see every one in on Wednesday and will possibly come back again on Saturday so Keith will be the meeting point this year. I can certainly recommend Sheila's catering!!

Keith will also do his Barleylands, Billericay, Essex meeting in September 13/14 and Henham Rally (Suffolk) Sept 20/21

SHEEN FLAME GUNS



X100

Basic model, adequate for most purposes. The flame is controlled and adjusted by the precision valve.

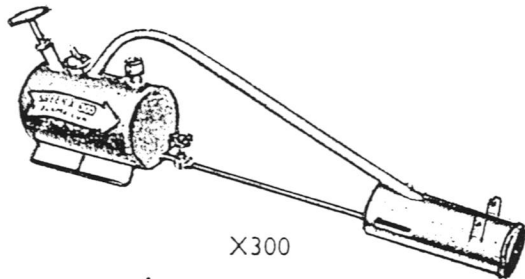
Price each £6 19 6

X200

Similar to the X100, but with the addition of a pressure gauge.

Price each £7 19 6

Ex Works only.

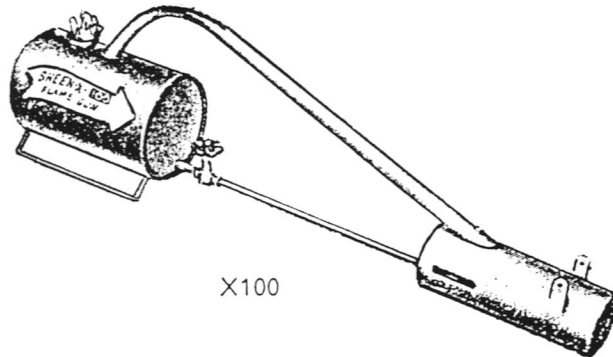


X300

"FLAMEWAND"

Designed for tasks where the use of a larger flame gun would prove wasteful. It has many of the uses of the larger wheel type flame guns including rough ground clearance, pre-emergence weed killing, soil sterilization, trimming lawn edges and keeping paths weed free.

Price each £4 4 0



X100

X300

Fitted with heavy duty positive action pump, pressure gauge and control valve.

Price each £8 17 6

X500

An all purpose machine incorporating an X300 gun with a positive action built in pump, chassis and hinged hood. Two gun positions are available.

Price each £12 17 0

X400

Similar to the X500, but does not have the built-in pumps.

Price each £11 19 6

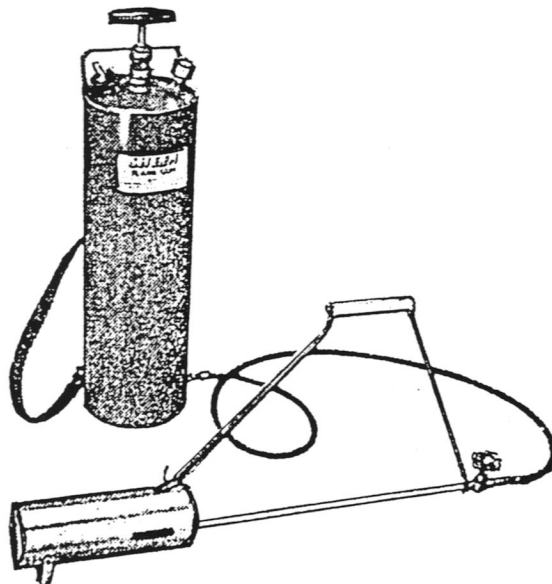
Ex Works only.

X600

Designed for the larger user. Has a 3-gallon tank for use over long periods. The burner is connected to the tank by flexible hosing.

Price each £9 19 6

Ex Works only.



Members News.

Corrections

Phone numbers:-

Keith Hawkins 01525 - 290122
Willy Mouton 0032 9 355 01 73

Max Rhodes has changed his address to:- Mathom House 01332 - 811056
71 Rycroft Road
Hemington
Derbyshire DE74 2RE

Welcome to new members

David Fielder 10 Cherry Rise, Flackwell Heath, Bucks HP10 9PS 01628 - 521174

Iwan Evans - Brynccerdin Fach, Bwlch y Groes, Llandysull, Ceredigion SA44 01239 - 958845

Peter Hunt - "Ye Olde Coffin House", King Street, Brixham, Devon TQ5 9FT 01803 - 852277

Tony Bridle 11A Higher Street, Brixham, Devon TQ5 8HW 01803 - 858494

I've also recently received a letter from a group of American collectors who have a newsletter called "*The Torch*". I've offered their editor honorary membership so we can exchange information and hopefully this will help produce more copy. I've not yet heard from him about how to become a member of their group but I understand that both Philippe and "Taff" Rees are already members. If anyone wants to advertise lamps for exchange let me know and we'll see if we can start some transatlantic swaps. That is if Philippe has left any from last year !

Future Meetings

John Byrne is exploring the possibility of a meeting in Kent. He has in mind using one of the available rooms in the old Chatham Dockyard. After a friend's wedding reception there he'll let us know what the opportunity is. This would be quite convenient for our French and Belgian Friends to attend. More of you then might see some of their magnificent lamps were they to bring them over to display. Another alternative is to link a meeting with the Detling Show or one of the other Kent or East Sussex shows. I have spoken to one or two in the Bristol area for this also could be convenient for quite a few members. More news later when my investigators have researched local halls, pubs etc.

Regretfully I shall not see many of you at Stourpaine this year, but do come and meet up with Keith and Sheila, and leave any suggestions with them. I may be around sometime on Saturday.

Best wishes